

NMEA2000® Volumetric Fuel Sender



- Output remaining Fuel Volume or Level
- High $\pm 2\%$ Accuracy
- Proven Reliability - Over 4000 installed
- Up to 100 Volumetric Calibration Points
- Tank depths from 250mm to 2 metres
- Up to 16 Fuel senders on a single network
- Easy to Install
- Robust Stainless Steel Construction
- NMEA2000 network standard
- Single micro plug to NMEA2000
- No ultrasonic “dead band” at top of tank



The 3271 NMEA2000® Volumetric Fuel Sender provides very accurate measurement and output of either the remaining Fuel LEVEL or the remaining Fuel VOLUME to the NMEA2000 network.

It is accurate to $\pm 2\%$ and automatically provides a stilling action to dampen out fuel slosh in the tank to maximise accuracy when conditions are rough or the boat is travelling quickly.

The 3271 can be programmed with up to 100 volumetric points, so that it offers the most accurate indication of the remaining VOLUME of fuel in the tank. This volume information can then be displayed on any NMEA2000® enabled display, wherever it is required.

No more volume inaccuracies caused by having to set just 8 or 16 volumetric points.

No ultrasonic “dead band” which makes it impossible to measure the fuel in the top 75mm or 3 inches of the Fuel tank!

Just rugged dependable accuracy with thousands of units installed worldwide. It is now standard fitting on many well known power, sail and work boat builders.

It is robustly constructed in stainless steel with no moving parts to stick or fail in service. It is available to suit tank depths from 250mm to 2 metres.

The sender constantly monitors the fuel for any water contamination and warns if any is found to protect the engine from expensive damage.

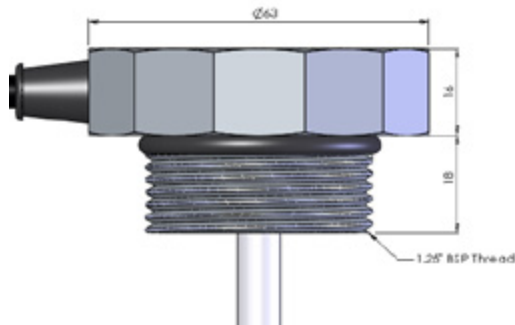
It is easily fitted in the fuel tank using the industry standard SAE 5 bolt fitting, 1.5” NPT or a 1.25” BSP threaded mount. Up to 16 Fuel Level Senders can be connected to a single network and the sender number is simply selectable at installation by means of the small rotary switch.

It is manufactured to the NMEA2000® network standard and attaches to the network using a single “Micro” plug. It draws less than 50mA from the network.

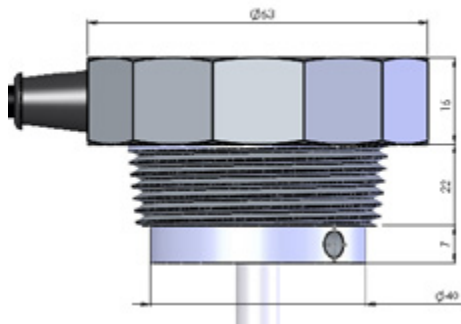
NMEA2000® Fuel Level Sender

Part Nos: 3271-500, -1000, -1500 and -2000

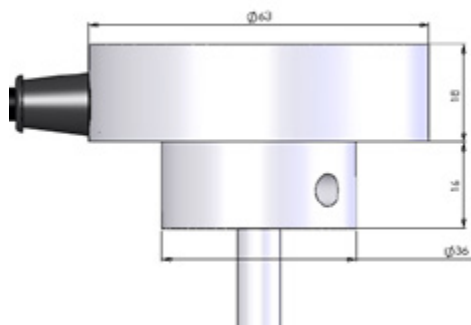
1 ¼" BSP Threaded Mount Unit Dimensions



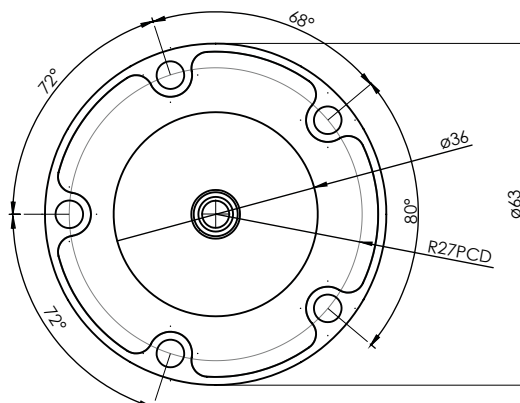
1 ½" NPT Taper Threaded Mount Unit Dimensions



SAE 5 BOLT Mount Unit Dimensions



SAE 5 BOLT Mount Unit Dimensions Plan



Oceanic Systems (UK) Ltd
Unit 10-11 Milton Business Centre, Wick Drive,
New Milton, Hampshire, BH25 6RH, United Kingdom

Tel (UK): +44(0)1425 610022 Tel (USA): (844)898 6462
Fax: +44(0)1425 614794 Email: sales@osukl.com
Web: www.osukl.com

Specification	
Accuracy	± 2%
Number of Tanks	up to 16 on a single network
Certification	
NMEA2000	Level B+
Maritime Nav & Radio-Comm	IEC60945
CE & FCC	Electromagnetic Compatibility
NMEA2000 Parameter Group Numbers (PGNs)	
Periodic	PGN127505 Fluid Level
Requested	PGN126996 Product Info
Protocol	PGN059392 ISO Acknowledge PGN059904 ISO Request PGN060928 ISO Address Claim PGN065240 ISO Address Cmd PGN126208 Complex Request
Electrical	
Operating Voltage	9 - 16 Volts DC
Power Consumption	<50mA
Load Equivalence Number	1
Reverse Battery Protection	Indefinitely
Load Dump Protection	Yes to SAE J1113
Mechanical	
Head Diameter	63mm
Probe Lengths	From 250mm to 2 Metres
Cable Tail Length	1 Metre
Environmental	
IEC 60954 Classification	Exposed
Degree of protection	IP67
Operating Temperature	-25C to 55C
Storage Temperature	-40C to 70C
Relative Humidity	93%RH@40C per IEC60945-8.2
Corrosion - Salt mist	As per IEC 60945-8.12
Electromagnetic Emission	Conducted/Radiated per IEC 60945-9
Electromagnetic Immunity	Conducted/Radiated per IEC 60945-10

Copyright © 2019 Oceanic Systems (UK) Ltd. All rights reserved. Our policy is one of continuous product improvement so product specifications are subject to change without notice. Oceanic Systems products are designed to be accurate and reliable. However, they should be used only as aids to vessel monitoring, and not as a replacement for traditional navigation and vessel monitoring techniques.

NMEA2000® is a registered trademark of the National Marine Electronics Association.