

# NMEA2000® Micro Cabling and Connectors

Micro Trunk/Drop Cable  
 3810 - 0.5 Metre  
 3811 - 1 Metre  
 3812 - 2 Metre  
 3813 - 3 Metre  
 3815 - 5 Metre  
 3819 - 10 Metre



Micro Trunk/Drop Cable Male/Male  
 3825 - 0.5 Metre



Micro Trunk/Drop Female/Female  
 3826 - 0.5 Metre



Micro Trunk/Drop Cable Male/Female 90°  
 3827 - 0.2 Metre  
 3828 - 0.5 Metre  
 3829 - 1.0 Metre



Micro Cable Per Metre  
 /Micro Cable 100 Metre Reel  
 3820 - Per 1 Metre  
 3821 - Per 100 Metre



3802  
 Micro Trunk To Micro  
 Drop Tee Adaptor



3802-2  
 Micro Tee  
 Adaptor - 2 Way



3802-4  
 Micro Tee  
 Adaptor - 4 Way



3805/3806  
 Microfield Installable  
 Connector Male



3832  
 Micro Power Cable 2  
 Metre



3808  
 Micro In-Terminator



3801  
 Micro Female Blanking  
 Plug



3803/3804  
 Micro Female/Male  
 Terminator



3807  
 Micro Bulkhead  
 Feed Through



3840  
 Micro Elbow Adaptor



- NMEA2000® network standard
- Easy to Install
- Robust Design and Construction
- Waterproof to IP67/68

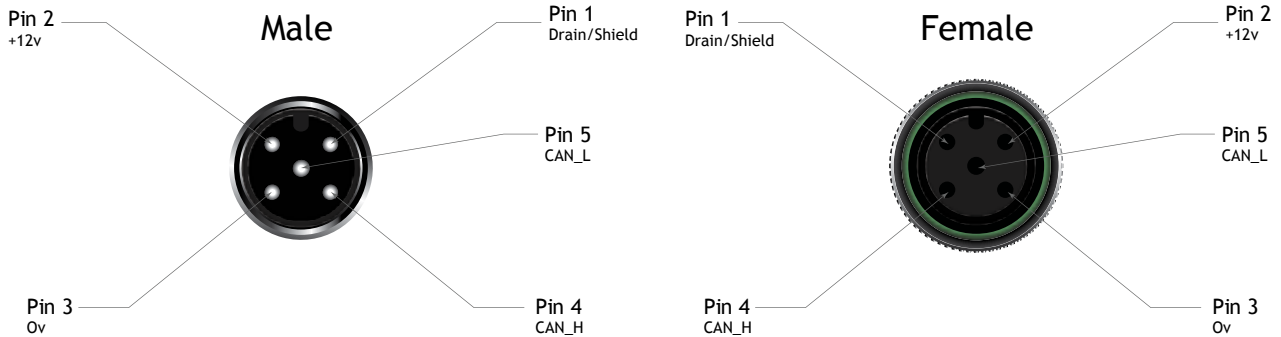
The NMEA2000® network comprises of a single trunk or backbone cable running through the length of the vessel with Tee Adaptors positioned where devices are to be attached to the network and a terminator at each end.

The trunk or backbone cable can be created by either using made up cables or cordsets that come in a range of lengths or by running bulk cable and using field installable connectors where Tee connectors are required.

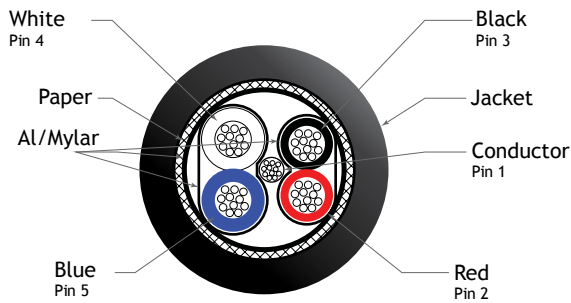


# NMEA2000® Micro Cabling and Connectors

## Micro Cable Pin Assignment



## Micro Cable Specifications



The light pair used for the network power shall be No. 22AWG (0.38 sq. mm) or heavier. The light pair for signals shall have the following electrical characteristics.

No. 24 AWG (0.24 sq. mm) or heavier.  
 Characteristics impedance: 95- 140 Ohms  
 15 twists (minimum) per metre.

## Micro Connectors



### Specifications

Connector Material	PU&NY+GF
Nut Material	Brass, Nickel Plated
Pin Material	Alloy, 6u" Min. Gold Plated
Wire	UL1007
IP	68 (IP 67 parts 3805/3806/3802)

## Micro Cables



### Specifications

Temp	80 °C
Voltage	300V
Conductor	Tinned Copper Stranded
Jacket	O.D. 6.85±0.25mm
IP	68

Oceanic Systems (UK) Ltd  
 Unit 10-11 Milton Business Centre, Wick Drive,  
 New Milton, Hampshire, BH25 6RH, United Kingdom

Tel (UK): +44(0)1425 610022    Tel (USA): (844)898 6462  
 Fax: +44(0)1425 614794    Email: sales@osukl.com  
 Web: www.osukl.com

Copyright © 2019 Oceanic Systems (UK) Ltd. All rights reserved. Our policy is one of continuous product improvement so product specifications are subject to change without notice. Oceanic Systems products are designed to be accurate and reliable. However, they should be used only as aids to vessel monitoring, and not as a replacement for traditional navigation and vessel monitoring techniques.

NMEA2000® is a registered trademark of the National Marine Electronics Association.