

CABIN AIR TEMPERATURE SENSOR

Part Numbers: 4522
INSTALLATION INSTRUCTIONS



The 4522 Cabin Air Temperature Sensor is designed to accurately measure the air temperature in a boat cabin using a highly accurate type K thermocouple mounted in an attractive white plastic enclosure. The unit is designed to be wired to an Oceanic Systems 4521 Temperature Input Module.

SAFETY WARNING

This instrument should only be installed by a person competent and experienced in working on electrical systems on boats.

BEFORE BEGINNING WORK THE BATTERY SHOULD BE DISCONNECTED TO AVOID THE RISK OF A SHORT CIRCUIT, A FIRE OR AN EXPLOSION.

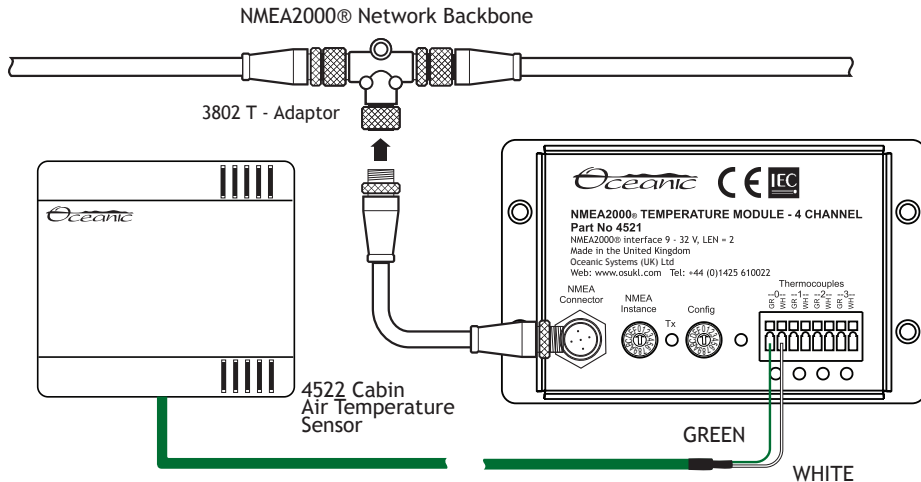
LOCATION AND INSTALLATION

The unit should be attached to the cabin wall or ceiling by using the screws provide through the holes in the plastic base. The green thermocouple wire should run to the 4521 Module behind the mounting wall or in a protective channel securing it at regular intervals. Please note that it is permitted to shorten the green wire if required but it is NOT permitted to extend the wire using ordinary two core cable. If it is necessary to extend the wire please contact Oceanic Systems for a suitable wire extension piece.

WIRING

The Cabin Air Temperature Sensor should be connected to the first available Thermocouple terminal pairs on the 4521. Ensure that the green wire is connected to the terminal marked "GR" and the white wire connected to the terminal marked "WH".

If the thermocouple wire is not connected correctly (or there is no thermocouple connected) the red LED next to each pair of terminals will be lit. If this occurs when a thermocouple is connected then check the connection and the wiring carefully and correct any errors found.



SETTING DEVICE INSTANCE & CONFIGURATION FOR SENSORS TO BE USED WITH 4521

The device instance is settable from device instance 0 to device instance 15 using the lower small rotary switch on the front panel labeled "NMEA2000® instance". This can be set at any time regardless if power is on or off. The switch counts from 0 - 9 then A - F being equivalent to Device Instance 10 - 15.

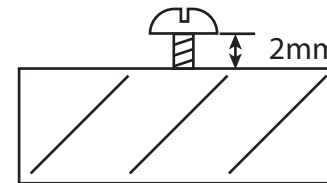
Device Instance	Switch Position
0	0
1	1
2	2
3	3
4	4
5	5
6	6
7	7
8	8
9	9
10	A
11	B
12	C
13	D
14	E
15	F

Each of the four channels can have a Config identity programmed to indicate the source of the temperature information. These are as follows:

Config Value	Temperature Source
0	Sea Temperature
1	Outside Temperature
2	Inside Temperature
3	Engine Room Temperature
4	Main Cabin Temperature
5	Live Well Temperature
6	Bait Well Temperature
7	Refrigeration Temperature
8	Heating System Temperature
9	Dew Point Temperature
A	Wind Chill Temperature Apparent
B	Wind Chill Temperature Theoretical
C	Heat Index Temperature
D	Freezer Temperature
E	Exhaust Gas Temperature
F	Not in Use

MOUNTING TEMPLATE

Mount the temperature sensor using this template and the 2 self tapping screws provided. A 2mm bit will suit most surfaces. A 23mm hole is required to provide clearance for the wire and rubber grommet.



Insulated Type 'K' Thermocouple	
Dimensions	80mm x 80mm
Cable	4.00Mtr

