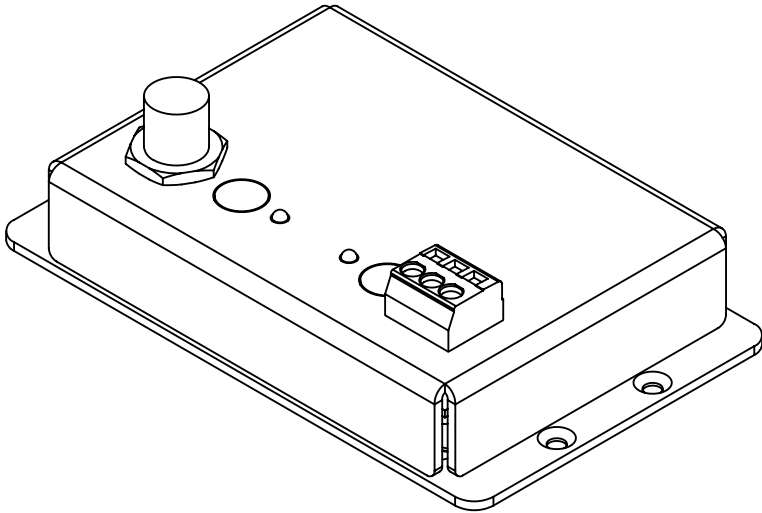


J1939 to NMEA2000® Adaptor
Part Numbers: 3185
USER MANUAL



Revision 3

1 Introduction	2
1.1 Product Features	2
2 Installation	3
2.1 Unpacking the box	3
2.2 Mounting the unit	3
2.3 Connecting the NMEA2000® Cable.....	3
2.4 Connecting the J1939 cable to the WAGO socket.....	4
2.5 J1939 Connections.....	4
3 Configuration.....	5
3.1 J1939 Source.....	5
3.2 NMEA2000® Device Instance.....	5
4 Warranty	8
5 Technical Support	9

The Oceanic Systems NMEA2000® 3185, J1939 to NMEA2000® Adaptor is designed to convert Engine, Transmission and Generator messages on the J1939 network onto the NMEA2000® network.

This unit is designed to operate in a protected marine environment such as an engine room. It is very important that it is installed and set up correctly according to this manual. Please read and follow the installation and setup instructions carefully to achieve the best results.

1.1 Product Features

The 3185, J1939 to NMEA2000® Adaptor has the following features:

- Connection to J1939 network using a 3 pole Wago cage clamp connector
- Green LED confirming valid J1939 message reception.
- NMEA2000® micro C interface plug
- User Settable a NMEA2000® Device Instance using rotary switch
- Blue LED confirming NMEA2000® transmission
- NMEA2000® Interface optically isolated from J1939
- Power drawn only from NMEA2000® interface
- Panel or DIN rail mounting option

NOTE:

FOR SAFETY REASONS THIS UNIT DOES NOT HAVE THE CAPABILITY OF TRANSMITTING ANY MESSAGES ONTO THE J1939 NETWORK.

2

INSTALLATION

2.1 Unpacking the box

You should find the following items in the 3185 shipping box:

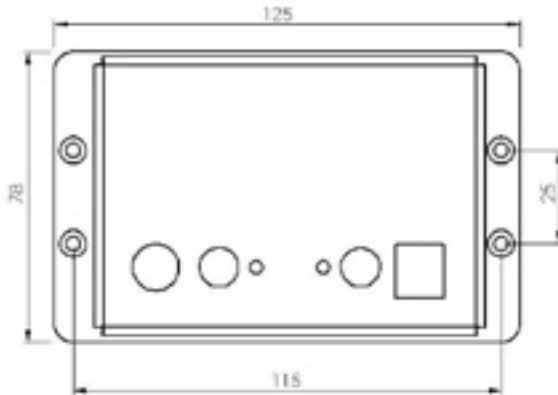
1 x 3185 J1939 to NMEA2000® Adaptor

1 x Din Rail mounting Kit with 2 rail mounts and 4 countersunk M3 screws for rails

1 x 3185 User Manual (This document)

2.2 Mounting the unit

The unit can either be mounted to a flat surface using 4 mounting screws. The unit dimensions and mounting hole locations are shown on the following drawing.

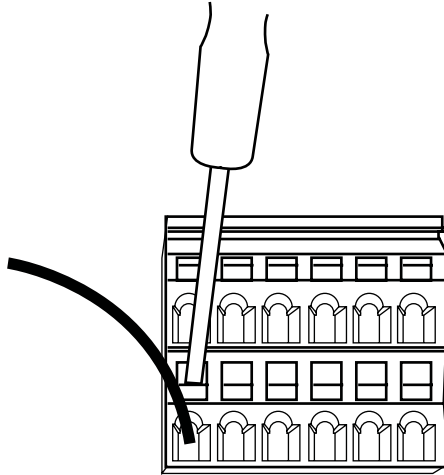


Or the unit can be Din Rails mounted by attaching the Din Rail mounts to the case using the supplied M3 CSK screws and then clipping the unit to the Din Rail

2.3 Connecting the NMEA2000® Cable

The unit is connected to the NMEA2000® network by the 5 way micro C socket on the front. Carefully attach the network drop cable to this plug and hand tighten until it is fully seated. Take care to match the orientation of the pip inside the socket to the recess inside the drop cable plug. The other end of the drop cable should be connected to a suitable Tee connector on the NMEA2000® network backbone cable.

2.4 Connecting the J1939 cable to the WAGO socket



The cables from the power-source to the external sockets are connected using the WAGO Cage Clamp terminal block. The wire should be stripped for 8mm and then the cage clamp opened with a small screwdriver in the slot above the wire connection. Then simply insert the wire into its connection slot and release the cage clamp by removing the small screw driver. This will produce a secure gas tight connection on wire sizes from 0.08 - 1.5 mm²

2.5 J1939 Connections

The terminal connections are numbered as follows:

Terminal 1	CAN H (HIGH-level J1939 CAN bus line)
Terminal 2	Ground
Terminal 3	CAN L (LOW-level J1939 CAN bus line)

These are marked on the unit case.

3

CONFIGURATION

The following two items can be configured directly on the 3185 using the two small rotary switches. There are no other menu setups to worry about.

3.1 J1939 Source

The J1939 Source dial is now redundant to the design and does not require setting to a specific setting. Dial can be set to 0 as a precaution.



3.2 NMEA2000® Device Instance

Each 3185 J1939 to NMEA2000® Adaptor connected to the NMEA2000® network needs to have a unique Device Instance Address. The Device Instance of each unit is set by turning the small rotary switch with a small screw driver. Valid Device Instances range from “0” through to “F”.

J1939 Data Translated to NMEA2000®

Type	PGN No	Parameters
J1939 PGNs	PGN61443	Engine Percent Load
	PGN61444	Engine Speed Percent Torque
	PGN65270	Engine Turbocharger Boost Pressure
	PGN65262	Engine Oil Temperature Engine Coolant Temperature
	PGN65271	Alternator Potential (Voltage)
	PGN65266	Engine Fuel Rate
	PGN65253	Engine Total Hours Operation
	PGN65263	Engine Coolant Pressure Engine Fuel Delivery Pressure Engine Oil Pressure
	PGN65214	Engine Rated Speed
	PGN65260	Vehicle Identification Number
	PGN65242	Software Identification

	PGN61445	Transmission Current Gear
	PGN65272	Transmission Oil Pressure Transmission Oil Temperature
	PGN65030	Generator Average Line to Line Voltage Generator Average Line to Neutral Voltage Generator Average Frequency Generator Average Current

NMEA2000® Parameter Group Numbers (PGNs)

Type	PGN No	Parameters
Periodic Data PGNs	PGN127488	Engine Parameters
	PGN127489	Engine Parameters
	PGN127498	Engine Parameters
	PGN127493	Transmission Parameters
	PGN65030	Generator Average Basic AC Quantities
Protocol	PGN126464	Tx/Rx PGN List
	PGN126996	Product Information
	PGN059392	ISO Acknowledge
	PGN059904	ISO Request
	PGN060928	ISO Address Claim
	PGN126208	Command/Request Group

Electrical and Mechanical

Parameter	Value	Comment
Operating Voltage	9 to 16 Volts	DC Voltage
Power Consumption	120mA	Average Operating
Load Equivalence Number	3	LEN
Reverse Battery Protection	Yes	Indefinitely
Load Dump Protection	Yes	SAE J1113
Size	mm	96 x 84 x 35
Weight	gr	120

Environmental

Parameter	Value
IEC 60954 Classification	Protected
Degree of Protection	IP40
Operating Temperature	-25°C to 50°C
Storage Temperature	-40°C to 70°C
Relative Humidity	93%RH @40° per IEC60945-8.2
Vibration	2-13.2Hz @ ±1mm, 13.2-100Hz @ 7m/s ² per IEC 60945-8.7

Oceanic Systems warrants this product to be free from defects in materials and workmanship for one year from the date of original purchase. If within the applicable period any such products shall be proved to Oceanic Systems satisfaction to fail to meet the above-limited warranty, such products shall be repaired or replaced at Oceanic Systems option. Purchaser's exclusive remedy and Oceanic Systems sole obligation hereunder, provided product is returned pursuant to the return requirements below, shall be limited to the repair or replacement, at Oceanic Systems option, of any product not meeting the above limited warranty and which is returned to Oceanic Systems; or if Oceanic Systems is unable to deliver a replacement that is free from defects in materials or workmanship, Purchaser's payment for such product will be refunded. Oceanic Systems assumes no liability whatsoever for expenses of removing any defective product or part, or for installing the repaired product or part or a replacement therefore or for any loss or damage to equipment in connection with which Oceanic Systems products or parts shall be used. The foregoing warranties shall not apply with respect to products subjected to negligence, misuse, misapplication, accident, damage by circumstances beyond Oceanic Systems control, to improper installation, operation, maintenance, or storage, or to other than normal use or service.

THE FOREGOING WARRANTIES ARE EXPRESSLY IN LIEU OF AND EXCLUDES ALL OTHER EXPRESS OR IMPLIED WARRANTIES, INCLUDING BUT NOT LIMITED TO THE IMPLIED WARRANTIES OF MERCHANTABILITY AND OF FITNESS FOR A PARTICULAR PURPOSE.

Statements made by any person, including representatives of Oceanic Systems, which are inconsistent or in conflict with the terms of this Limited Warranty, shall not be binding upon Oceanic Systems unless reduced to writing and approved by an officer of Oceanic Systems.

IN NO CASE WILL OCEANIC SYSTEMS BE LIABLE FOR INCIDENTAL OR CONSEQUENTIAL DAMAGES, DAMAGES FOR LOSS OF USE, LOSS OF ANTICIPATED PROFITS OR SAVINGS, OR ANY OTHER LOSS INCURRED BECAUSE OF INTERRUPTION OF SERVICE. IN NO EVENT SHALL OCEANIC SYSTEMS AGGREGATE LIABILITY EXCEED THE PURCHASE PRICE OF THE PRODUCT(S) INVOLVED. OCEANIC SYSTEMS SHALL NOT BE SUBJECT TO ANY OTHER OBLIGATIONS OR LIABILITIES, WHETHER ARISING OUT OF BREACH OF CONTRACT OR WARRANTY, TORT (INCLUDING NEGLIGENCE), OR OTHER THEORIES OF LAW WITH RESPECT TO PRODUCTS SOLD OR SERVICES RENDERED BY OCEANIC SYSTEMS, OR ANY UNDERTAKINGS, ACTS OR OMISSIONS RELATING THERETO.

Oceanic Systems does not warrant that the functions contained in any software programs or products will meet purchaser's requirements or that the operation of the software programs or products will be uninterrupted or error free. Purchaser assumes responsibility for the selection of the software programs or products to achieve the intended results, and for the installation, use and results obtained from said programs or products. No specifications, samples, descriptions, or illustrations provided by Oceanic Systems to Purchaser, whether directly, in trade literature, brochures or other documentation shall be construed as warranties of any kind, and any failure to conform to such specifications, samples, descriptions, or illustrations shall not constitute any breach of Oceanic Systems limited warranty.

WARRANTY RETURN PROCEDURE

To apply for warranty claims, contact Oceanic Systems or one of its dealers to describe the problem and determine the appropriate course of action. If a return is necessary, place the product in its original packaging together with proof of purchase and send to an Authorized Oceanic Systems Service Location. You are responsible for all shipping and insurance charges. Oceanic Systems will return the replaced or repaired product with all shipping and handling prepaid except for requests requiring expedited shipping (i.e. overnight shipments). Failure to follow this warranty return procedure could result in the product's warranty becoming null and void.

Oceanic Systems reserves the right to modify or replace, at its sole discretion, without prior notification, the warranty listed above.

If you require technical support for any Oceanic Systems products you can reach us using any of the following:

- Tel (UK): +44(0)1425 610022
- Tel (USA): (844)898 6462
- Fax: +44(0)1425 614794
- Email: support@osukl.com
- Web: www.osukl.com
- Post: Oceanic Systems (UK) Ltd
Unit 10-11 Milton Business Centre
Wick Drive, New Milton, Hampshire BH25 6RH

Oceanic Systems (UK) Ltd
Unit 10-11 Milton Business Centre, Wick Drive,
New Milton, Hampshire, BH25 6RH, United Kingdom

Tel (UK): +44(0)1425 610022 Tel (USA): (844)898 6462
Fax: +44(0)1425 614794 Email: sales@osukl.com
Web: www.osukl.com

Copyright © 2019 Oceanic Systems (UK) Ltd. All rights reserved. Our policy is one of continuous product improvement so product specifications are subject to change without notice. Oceanic Systems products are designed to be accurate and reliable. However, they should be used only as aids to vessel monitoring, and not as a replacement for traditional navigation and vessel monitoring techniques. NMEA2000® is a registered trademark of the National Marine Electronics Association.