

Dual Deck Gauge for NMEA2000® Senders



- Displays two Tank Levels at the Deck Fillers as well at the existing instruments
- Prevents fuel spills during refuelling
- Maximise Range from Full Tanks
- Available with your custom boat logo and wording
- Blue LED Level Display
- Robust polished Stainless Steel with Laser Etched designator
- Easy to Install
- Single Plug to NMEA2000® Bus

The 3210 Dual Deck Gauge displays the levels of TWO fuel tanks right at the deck fillers.

This enables the user to see the exact tank level at the point of filling. This allows the tanks to be filled without the risk of spills or wastage.

Each tank level is displayed on a blue LED display set into the dual deck gauge. This provides a clear indication of the level of the liquid in the tank at all times. The LED varies in brightness to compensate for ambient light levels, brighter in sunlight and dimmer at night.

The dual deck gauge is produced in mirror polished stainless steel to provide a rugged and attractive finish.

It can have either standard front wording or a custom laser etch of the boat builder's logo and tank names and their choice of wording as illustrated above.

It is sealed to IP68 and constructed to the IEC60945 Maritime Navigational and Radiocommunications Equipment Standard to ensure high reliability and trouble free operation for many years.

It attaches to the NMEA2000® network using a single plug. No other wiring is needed.

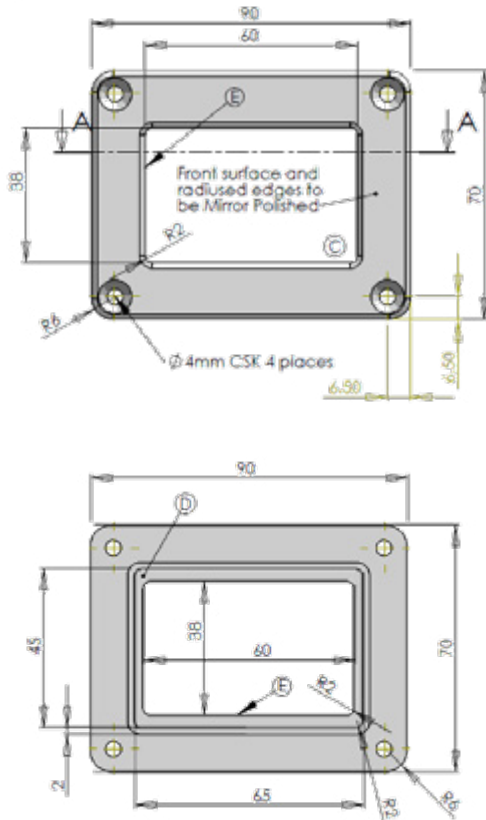


Please Note:
The Dual Deck Gauge will be manufactured with either standard front wording or with the boat builder's logo and their choice of wording.

NMEA2000® Dual Deck Gauge

Part No: 3210-Dual

Dimensions



Specification	
Display Accuracy	Displays to 1%
Tank Contents	Fuel or Water
Tank Instances	Up to 16 tank instances on network
Certification	
NMEA2000	Certified Level B+
CE and FCC	Electromagnetic Compatibility
IEC60945	Environmental
NMEA PGNs	
Received	PGN 059904 ISO Request PGN 060928 Address Claim PGN 127505 Fluid Level
Transmitted	PGN 059392 Acknowledgement PGN 060928 Address Claim
Electrical	
Operating Voltage	9 - 16 Volts DC from NMEA network
Connector	Micro plug on 1 metre cable
Power	Less than 150mA
Load Equivalence	3 LEN according to NMEA2000 spec
Reverse Battery	Fully protected indefinitely
Mechanical	
Size	90mm x 70mm x 22.5mm
Weight	300 grams
Environmental	
IEC Classification	Exposed
Protection	IP68
Operating Temp	-20°C to 50°C
Storage Temp	-50°C to 70°C
Relative Humidity	93% RH @ 40°C per IEC60945-8.2
Vibration	2-13.2Hz @ ±1mm, 13.2-100Hz @ 7m/s ² per IEC 60945-8.7
EMC Emission	Conducted & Radiated per IEC60945-9
EMC Immunity	Conducted, radiated, supply and ESD per IEC60945-10

Oceanic Systems (UK) Ltd
Unit 10-11 Milton Business Centre, Wick Drive,
New Milton, Hampshire, BH25 6RH, United Kingdom

Tel (UK): +44(0)1425 610022 Tel (USA): (844)898 6462
Fax: +44(0)1425 614794 Email: sales@osukl.com
Web: www.osukl.com

Copyright © 2020 Oceanic Systems (UK) Ltd. All rights reserved. Our policy is one of continuous product improvement so product specifications are subject to change without notice. Oceanic Systems products are designed to be accurate and reliable. However, they should be used only as aids to vessel monitoring, and not as a replacement for traditional navigation and vessel monitoring techniques.

NMEA2000® is a registered trademark of the National Marine Electronics Association.