

NMEA2000® MultiFunction Display

MultiFunction Display
part no. 3345



MultiFunction Display
Screen Cover
part no. 3341



Provides Colour Display for all the following devices on an NMEA2000® network:

- Up to 16 Fuel Tanks
- Up to 16 Fresh Water Tanks
- Up to 16 Grey Water Tanks
- Up to 16 Black Water Tanks
- Up to 16 Oil Tanks
- Up to 16 DC Sources such as Battery Banks, Solar Cells and Wind Generators
- Up to 16 AC Sources such as Generators, Shore power and AC Bus Bars
- Compact and Robust Design
- User selected displays
- Low Cost
- NMEA2000® Certified

The Oceanic Systems' 3345 Colour MultiFunction Display, provides a compact and flexible solution to display all the ships Tanks, DC Sources and AC Sources on a single sunlight readable bright colour display.

The 3345 is simply connected to the NMEA2000® network with a single cable. All of the NMEA2000® tank senders, battery monitors and AC source monitors will display their information on the multi page display.

It has a high resolution sunlight readable colour display in a compact 95mm square rugged format. No need to have larger cumbersome separate displays for all these functions any more.

The display screens are user selectable so that the user can mix the tank sender display to suit their requirements, allowing them to choose different tank types on each page, of a multipage tank display.

Each Tank Sender, DC Source Monitor and AC Source Monitor can have a user selectable descriptive name to make identification easier.

Each Tank Display will show tank level and tank VOLUME where this information is available (i.e. From Oceanic Systems' Tank Senders)

It is certified to the NMEA2000® network standard and draws just 200mA current from the network.

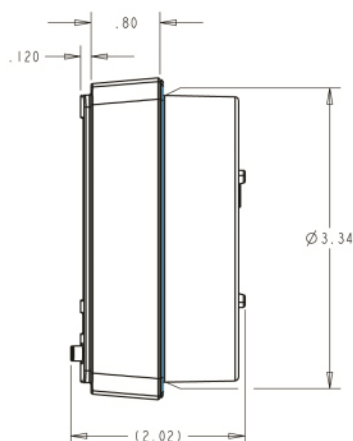
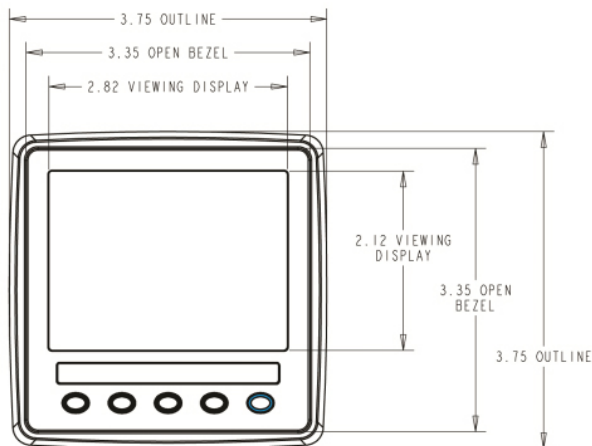
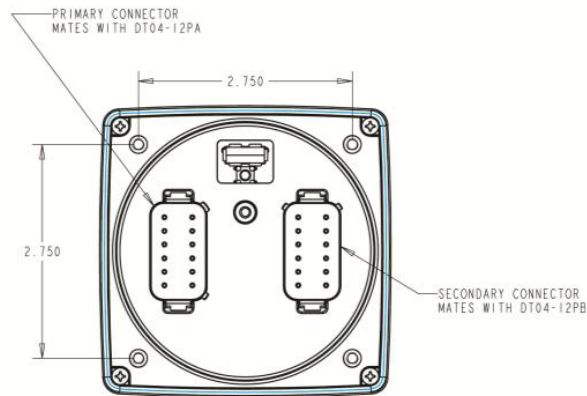
It comes with a detailed User Manual that identifies what NMEA2000® data can be displayed and how to select that data.

The 3345 is simple, powerful, reliable and very easy to install and use.

NMEA2000® MultiFunction Display

Part Nos: 3345, 3341 (screen cover)

Dimensions



Hardware			
NMEA2000®	Level B+		
Maritime Nav & Radio-Comm	IEC60945		
CE & FCC	Electromagnetic Compatibility		
NMEA2000® Parameter Group Numbers (PGNs)			
Source	Max No	PGN	Description
Fuel Tanks	16	127505	Fluid Level
Fresh Water Tanks	16		
Grey Water Tanks	16		
Black Water Tanks	16		
Oil Tanks	16		
DC Sources/Battery Banks	16	127507	Battery Status
		127508	DC Detailed Status
AC Monitors	16	127744	AC Power Phases A,B,C
		127745	
		127746	
		127747	AC Voltage/Freq Phases A,B,C
		127748	
		127749	
Electrical and Mechanical			
Operating Voltage	10 to 32 Volts		
Power Consumption	200mA		
Load Equivalence Number	4		
Reverse Battery Protection	Indefinitely		
Load Dump Protection	Yes to SAE J1113		
Size	95mm (W) x 95mm (H) x 23mm forward and 23mm rear (D)		
Weight	160gm		
Environmental			
IEC06954 Classification	Exposed		
Degree of protection	IP67		
Operating Temperature	-20C to 70C		
Storage Temperature	-30C to 80C		
Relative Humidity	93%RH @ 40C per IEC 60945-8.2		
Electromagnetic Emission	Conducted/Radiated per IEC 60945-9		
Electromagnetic Immunity	Conducted/Radiated per IEC 60945-10		

Oceanic Systems (UK) Ltd
Unit 10-11 Milton Business Centre, Wick Drive,
New Milton, Hampshire, BH25 6RH, United Kingdom

Tel (UK): +44(0)1425 610022 Tel (USA): (844)898 6462
Fax: +44(0)1425 614794 Email: sales@osukl.com
Web: www.osukl.com

Copyright © 2020 Oceanic Systems (UK) Ltd. All rights reserved. Our policy is one of continuous product improvement so product specifications are subject to change without notice. Oceanic Systems products are designed to be accurate and reliable. However, they should be used only as aids to vessel monitoring, and not as a replacement for traditional navigation and vessel monitoring techniques.

NMEA2000® is a registered trademark of the National Marine Electronics Association.