

NMEA2000® Network Grey/Holding Tank Pump Out Controller



- Manual start Holding Tank Pump Out where allowed
- Automatically stops Pump when holding tank is empty
- Standard 2" Panel Gauge Size
- Tank Pumping Out warning LED
- Holding Tank Level display varies in brightness to suit ambient light level
- Front and Panel Sealed to IP66
- NMEA2000® network standard

The 3350-GTPO and new 3350-HTPO Holding Tank Pump Out Controller displays the holding tank level on a standard 2" Panel Gauge.

The green START button manually starts the pump out where and when allowed. The unit automatically stops the pump out when the tank is empty to avoid the pumps running dry. The user can also stop the pump out at any time by pressing the STOP button.

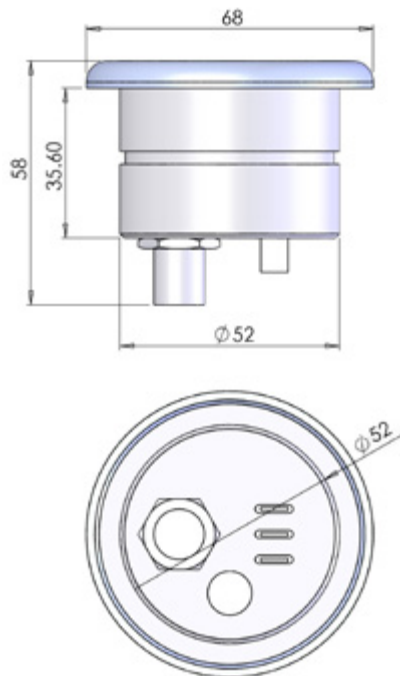
The Controller is fitted with a 10 amp relay to control the pump out pump. The unit mounts in a standard 2" diameter panel hole and the front and panel seal is to IP66.

It has a red LED lamp that flashes when the pump out is in progress and a blue LED holding tank level display that varies in brightness as the ambient light level varies.

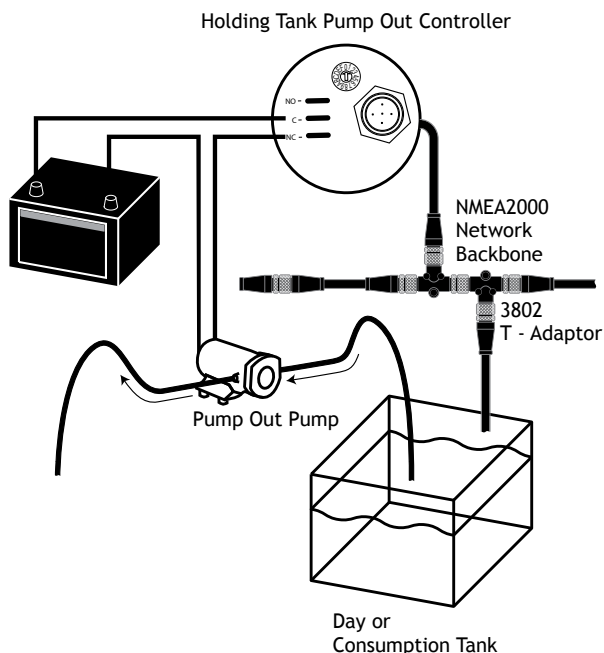
It attaches to the NMEA2000® network using a single "Micro" plug. It draws less than 150mA from the network.

NMEA2000® Network Grey Holding Tank Pumpout Controller Part Nos: 3350-GTPO, 3350-HTPO

Dimensions



Pump Control Wiring



Specification	
Accuracy	Display to 1%
LED Display	Dims to ambient light level
Design Standards	
NMEA2000®	Level B+
Maritime Navigation and Radiocommunication Equipment	IEC 60945
CE Mark and FCC	Electromagnetic Compatibility
NMEA2000® PGNs	
Periodic	PGN127505 Fluid Level
Requested	PGN126996 Product Info
Protocol	PGN059392 ISO Acknowledge PGN059904 ISO Request PGN060928 ISO Address Claim PGN065240 ISO Address Cmd PGN126208 Complex Request
Electrical	
Operating Voltage	9 - 30 Volts DC
Power Consumption	<150mA
Load Equivalence	3 LEN
Relay	10 Amp Changeover
Reverse Battery	Protected
Load Dump	Protected
Mechanical	
Body Size	68mm Diameter 60mm Deep
Rear Clearance	Allow 100 for cable connection
Weight	Approx 130 gms
Panel Mounting	Standard 52mm / 2" Hole in Panel 1-25mm thick
Environmental	
IEC 60945 Classification	Exposed
Protection	IP66 Front and Panel
Operating Temperature	-25C to +55C
Storage Temperature	-40C to +70C
Relative Humidity	93%RH@40C per IEC60945-8.2
Corrosion - Salt mist	As per IEC 60945-8.12
Electromagnetic Emission	Conducted and Radiated as per IEC 60945-9
Electromagnetic Immunity	Conducted, Radiated, Supply and ESD per IEC 60945-10