

NMEA2000® 24 Volt Power Adaptor



- 17 - 32 Volt system input
- 13.6 Volt NMEA2000® output
- 6 Amp Output Capability
- Robust Aluminium Construction
- Easy to install
- 2 metre power lead with single Micro plug / socket to NMEA2000® bus

The 3890 24 Volt Power Adapter allows a standard NMEA2000® network to be powered from the yacht's 24 volt supply.

The 24 Volt input can vary from 17 - 32 Volts whilst the fully stabilised unit holds the output steady.

The unit provides the NMEA2000® standard 13.6 Volts supply at up to 6 Amps which is sufficient to power any normal NMEA2000® network.

The 3890 comes with a complete mounting kit including a dedicated mounting bracket and screws and 1/4" crimp connectors for the 24 volt input connection.

It connects to the NMEA2000® network by means of a 2 metre power Tee that has the standard Micro Plug and Socket to be included in the NMEA2000® Trunk or backbone cable.

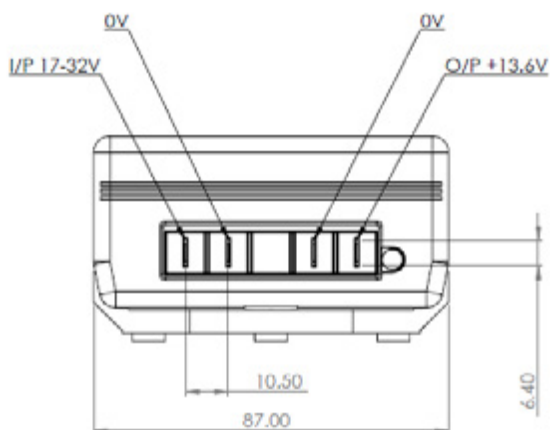
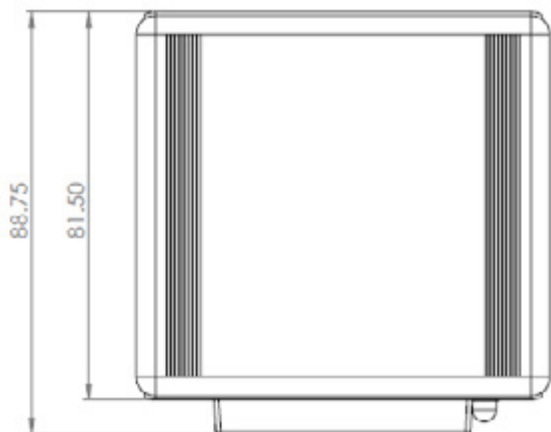
The 3890 24 Volt Power Converter is robustly constructed to the IEC60945 Maritime Navigational and Radio communications Equipment Standard to ensure high reliability and trouble free operation for many years.

It comes complete with 2 metre Power Tee cable, mounting bracket and screws, crimp connectors and full installation and operation instructions.

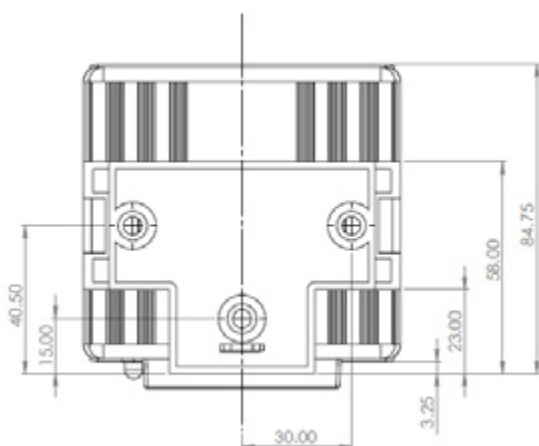
NMEA2000® 24 Volt Power Adaptor

Part No. 3890

Dimensions



Mounting Information



Specification	
Input Voltage	17 - 32 Volts DC
Output Voltage	13.6 Volts DC
Output Current	6 Amperes
Certification	
Maritime Navigation and Radiocommunication Equipment	Tested to IEC 60945
CE Mark and FCC	Electromagnetic Compatibility
NMEA2000® Parameter Group Numbers (PGNs)	
Periodic	None
Requested	None
Protocol	None
Electrical	
NMEA2000® Output Voltage	13.6 Volts DC
Reverse Battery	Protected
Load Dump	Protected
Mechanical	
Size	90mm Long 88mm Wide 50mm Deep
NMEA2000® Cable Length	2 Metre with micro plug / socket
Input connection	.25" spade terminals
Weight	Approx 450 gms
Mounting	Supplied bracket
Environmental	
IEC 60954 Classification	Protected
Protection	IP40
Operating Temperature	-25C to +55C
Storage Temperature	-40C to +70C
Relative Humidity	93%RH@40C per IEC60945-8.2
Electromagnetic Emission	Conducted and Radiated as per IEC 60945-9
Electromagnetic Immunity	Conducted, Radiated, Supply and ESD per IEC 60945-10

Oceanic Systems (UK) Ltd
Unit 10-11 Milton Business Centre, Wick Drive,
New Milton, Hampshire, BH25 6RH, United Kingdom

Tel (UK): +44(0)1425 610022 Tel (USA): (844)898 6462
Fax: +44(0)1425 614794 Email: sales@osukl.com
Web: www.osukl.com

Copyright © 2020 Oceanic Systems (UK) Ltd. All rights reserved. Our policy is one of continuous product improvement so product specifications are subject to change without notice. Oceanic Systems products are designed to be accurate and reliable. However, they should be used only as aids to vessel monitoring, and not as a replacement for traditional navigation and vessel monitoring techniques.

NMEA2000® is a registered trademark of the National Marine Electronics Association.