

Liquid Temperature Probe

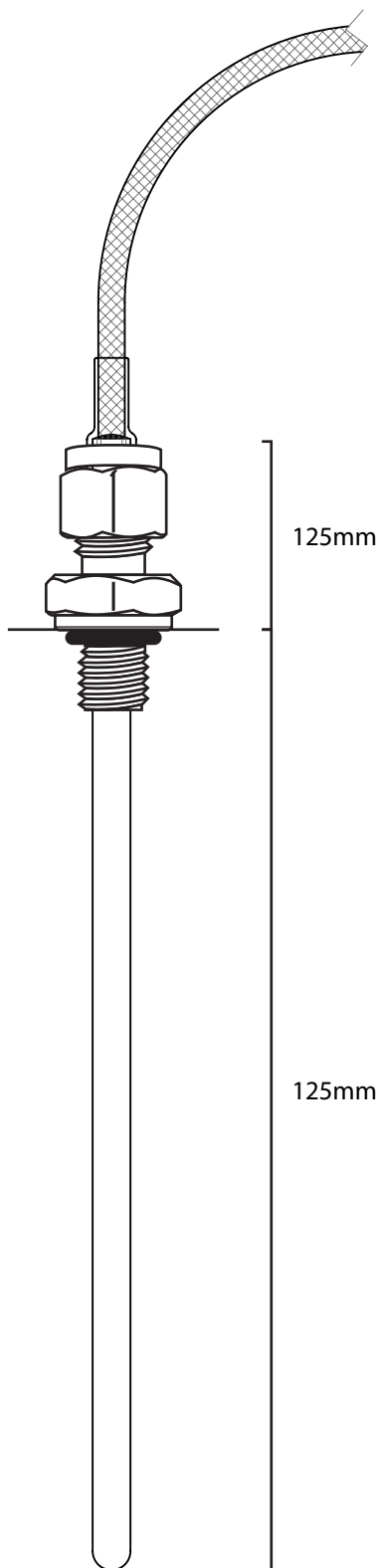


The Oceanic Systems 4523 Liquid Temperature Probe is designed to be a rugged, robust temperature probe for sensing the temperature of various liquids around the vessel.

Liquid Temperature Probe

Part No. 4523

Dimensions



Design Standard		
NMEA2000®	Level B	
Maritime Nav and Radio-Comm Equipment	IEC60945	
CE and FCC	Electromagnetic Compatibility	
NMEA2000® PNGs		
Temperature	130312	Temperature extended range
Requested PGNS	126464	PGN List
	126996	Product Information
	126998	Configuration Information
Protocol PGNS	059392	ISO Acknowledge
	059904	ISO Request
	060928	ISO Address Claim
	065240	ISO Address Command
	126208	Complex Command
Electrical and Mechanical		
Operating Voltage	9 to 32 Volts	DC Voltage
Power Consumption	100mA	Average Operating
Load Equivalence Number	2	LEN
Reverse Battery Protection	Yes	Indefinitely
Load Dump Protection	Yes	SAE J1113
Size	125mm Hot leg 90° bend 25mm Cold Leg 6mm Dia.	
Weight	160gm	
Environmental		
IEC 60954 Classification	Protected	
Degree of Protection	IP40	
Operating Temperature	-25°C to 50°C	
Storage Temperature	-40°C to 70°C	
Relative Humidity	93%RH @40° per IEC60945-8.2	
Vibration	2-13.2Hz @ ±1mm, 13.2-100Hz @ 7m/s ² per IEC 60945-8.7	
Electromagnetic Emission	Conducted and Radiated Emission per IEC 60945-9	
Electromagnetic Immunity	Conducted, Radiated, Supply, and ESD per IEC 60945-10	
Safety Precautions	Dangerous Voltage, Electromagnetic Radio Frequency per IEC 60945-12	

Oceanic Systems (UK) Ltd
Unit 10-11 Milton Business Centre, Wick Drive,
New Milton, Hampshire, BH25 6RH, United Kingdom

Tel (UK): +44(0)1425 610022 Tel (USA): (844)898 6462
Fax: +44(0)1425 614794 Email: sales@osukl.com
Web: www.osukl.com

Copyright © 2020 Oceanic Systems (UK) Ltd. All rights reserved. Our policy is one of continuous product improvement so product specifications are subject to change without notice. Oceanic Systems products are designed to be accurate and reliable. However, they should be used only as aids to vessel monitoring, and not as a replacement for traditional navigation and vessel monitoring techniques.

NMEA2000® is a registered trademark of the National Marine Electronics Association.