

# LIQUID TEMPERATURE PROBE

Part Numbers: 4523

## INSTALLATION INSTRUCTIONS



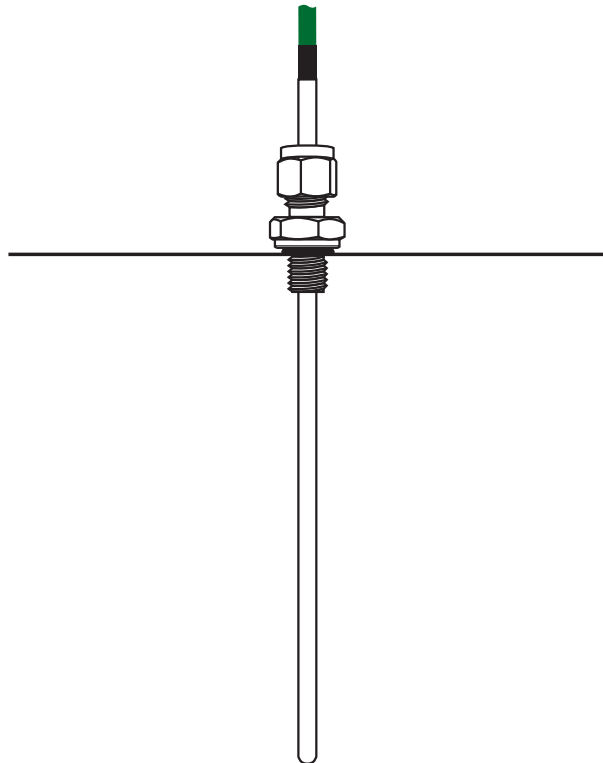
### SAFETY WARNING

This instrument should only be installed by a person competent and experienced in working on electrical systems on boats.

**BEFORE BEGINNING WORK THE BATTERY SHOULD BE DISCONNECTED TO AVOID THE RISK OF A SHORT CIRCUIT, A FIRE OR AN EXPLOSION.**

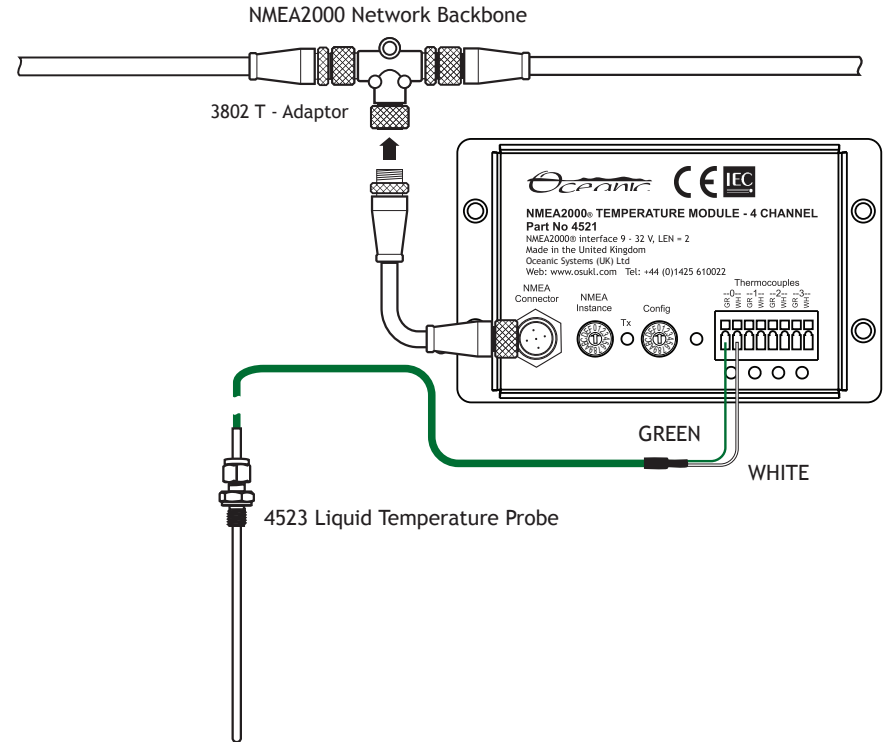
### LOCATION AND INSTALLATION

The probe should be attached via the threaded thermocouple compression mount into an appropriate female thread, or secured with a suitable washer and nut. The green thermocouple wire should run to the 4521 Module in a protective channel securing it at regular intervals. Please note that it is permitted to shorten the green wire if required but it is NOT permitted to extend the wire using ordinary two core cable. If it is necessary to extend the wire please contact Oceanic Systems for a suitable wire extension piece.



### WIRING

Connect the Liquid Temperature Probe to the NMEA2000® Network via the NMEA2000® temperature module - 4 channel, p/n 4521.



Insulated Type 'K' Thermocouple to IEC584-3	
Dimensions	6.00mm dia 316S/S. 150mm long.
Cable	4.00Mtr Flat pair PVC insulated leads 7/0.2mm.
Thread	M10 x 1 S/S Compression fitting

Oceanic Systems (UK) Ltd  
Unit 10-11 Milton Business Centre, Wick Drive,  
New Milton, Hampshire, BH25 6RH, United Kingdom

TTel (UK): +44(0)1425 610022 Tel (USA): (844)898 6462  
Fax: +44(0)1425 614794 Email: sales@osukl.com  
Web: www.osukl.com

Copyright © 2020 Oceanic Systems (UK) Ltd. All rights reserved. Our policy is one of continuous product improvement so product specifications are subject to change without notice. Oceanic Systems products are designed to be accurate and reliable. However, they should be used only as aids to vessel monitoring, and not as a replacement for traditional navigation and vessel monitoring techniques. NMEA2000® is a registered trademark of the National Marine Electronics Association.