

OCEANIC SYSTEMS POSEIDON UNIT & SOFTWARE
Part Number: 5180
INSTALLATION INSTRUCTIONS





POSEIDON

1	Introduction.....	2
1.1	Product features.....	2
2	Unit Dimensions.....	3
3	Installation.....	4
3.1	Unpacking the box.....	4
3.2	Connecting Poseidon.....	4-5
3.3	Powering on.....	6
4	Updating.....	8
4.1	Further Functions.....	8
5	Technical support.....	9
6	Warranty.....	10

The Oceanic Systems' 5180 is the centrepiece of the Poseidon system, providing alarms, control and monitoring to all of your vessels PLC, NMEA2000® and Oceanic UDP devices.

The 5180 boasts a powerful Quad Core processor, passively cooled and is supported by a high-quality SSD. As the system has no moving parts, it outperforms traditional setups in harsh marine environments.

With dual-CAN, dual Ethernet and dual HDMI, there is no shortage of connectivity.

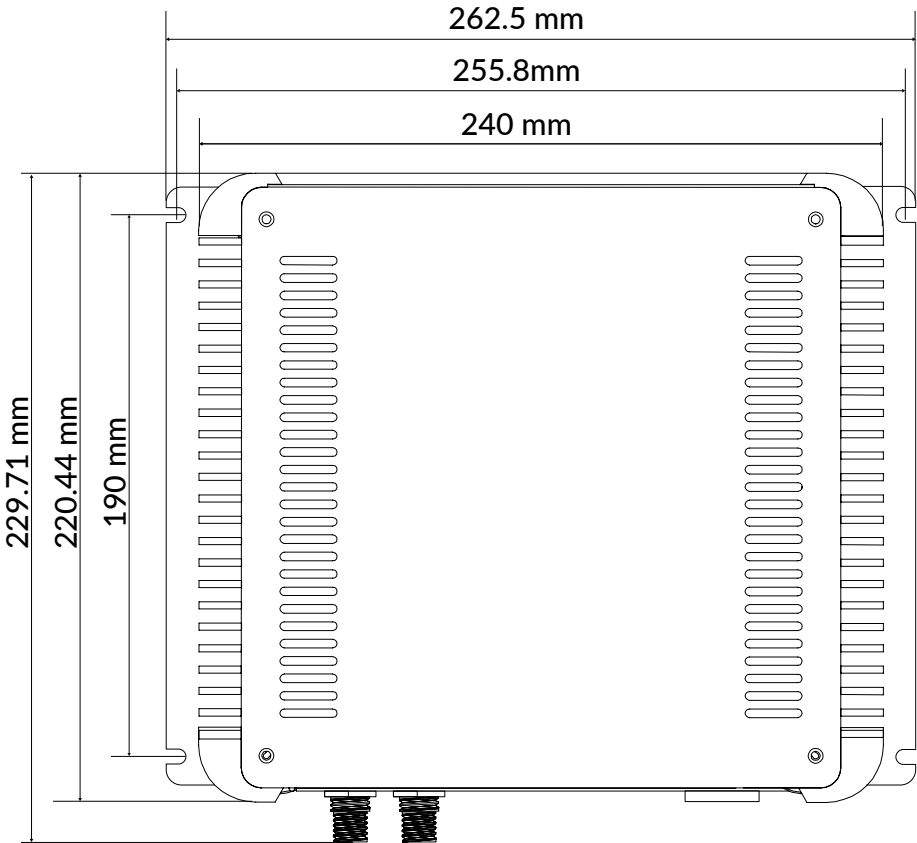
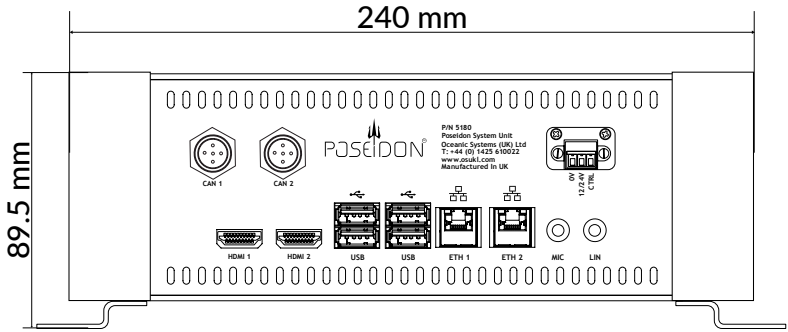
With Oceanic's world-class modern graphics, intuitive user interface and ultimate ease of configurability, Poseidon offers a truly state of the art multi-user, multi-page, multi-display experience.

1.1 PRODUCT FEATURES

- **3.2 GHz Quad Core Processor**
- **Supports 2 local primary displays**
- **Supports up to 8 secondary displays**
- **Supports WiFi link to portable devices**
- **Supports cloud based link to remove devices**
- **Up to 8 IP camera inputs**
- **Dual NMEA2000® CAN bus interfaces**
- **Ethernet interface to PLC or Oceanic UDP**

2

UNIT DIMENSIONS



3

INSTALLATION

3.1 UNPACKING THE BOX

You will find the following items in the shipping box:

- 1x Poseidon System Unit
- 1x User Manual (this document)
- 1x Power Connector

3.2 CONNECTING POSEIDON

BEFORE MAKING ANY CONNECTIONS TO THE UNIT, ENSURE THAT THE NMEA2000® BUS POWER AND DC SUPPLY ARE TURNED OFF.

- **Connect the NMEA2000® cable** to CAN1 on the front of the unit, observing the correct orientation to ensure the keyway aligns. The cable can be extended up to 5 metres and connect into the T-Adaptor on the network backbone. Tighten screw ring securely. You may connect a second NMEA2000® network to CAN2.

- **Touch panel USB connections**

Touch for HDMI 1 must be connected to lower left USB port
Touch for HDMI 2 must be connected to lower right USB Port

You may use a USB keyboard during installation which can be connected to either of the upper USB ports.

- **Ethernet connections**

Connect ETH1 to the ship's network. Connect ETH2 to the PLC / UDP network.
See separate document (USER MANUAL) for full network configuration options.

- **Power Connections**

The power connected has 3 terminals as follows:

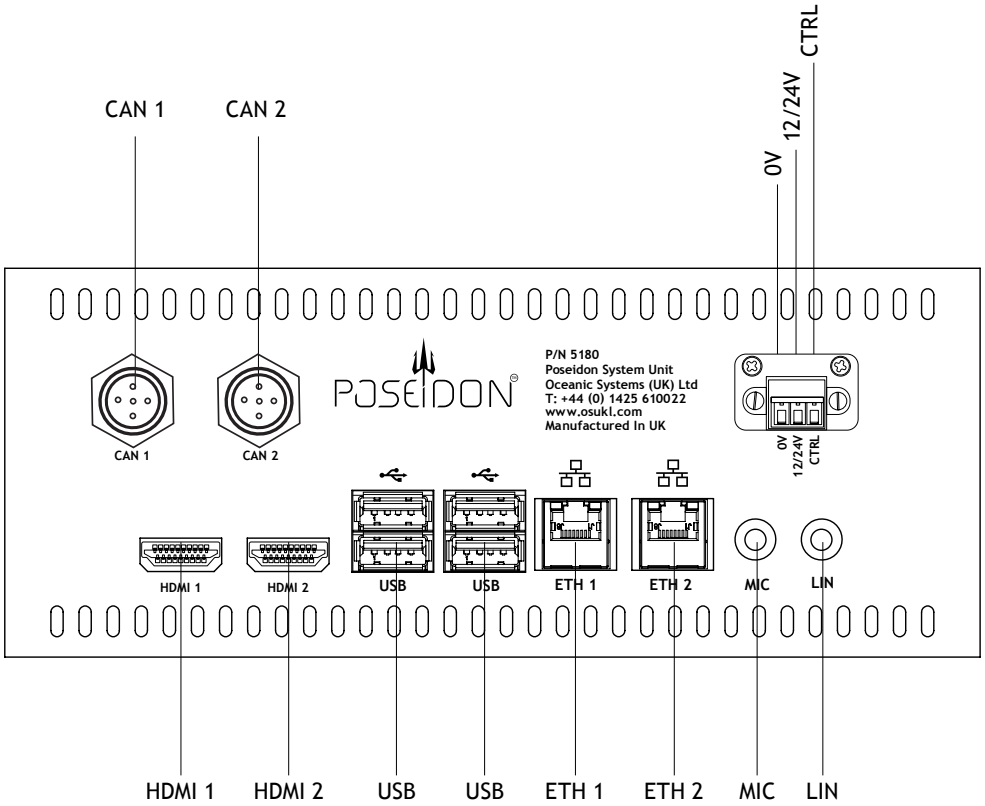
- 1) 0V
- 2) 12/24V
- 3) CTRL

CTRL should be connected to either the ignition, or a switch. When this terminal is pulled to 24V the 5180 will be powered up and when pulled to ground it will shut down.

WARNING: DO NOT DISCONNECT 24V WITHOUT FIRST PULLING CTRL TO GROUND. DOING SO MAY REDUCE THE LIFETIME OF THE UNIT AND WILL NOT BE COVERED BY WARRANTY.

The unit can be safely left in standby mode (CTRL Grounded) drawing only xx mA for the first xx minutes and then xx mA from thereon.

The Poseidon connection panel.



3.3 POWERING ON

To power on the unit, pull CTRL to 12/24V. With a display connected, you will be met with the Poseidon Trident loading screen.

The power on sequence typically takes round 30 seconds. **

On the first boot up, you will be prompted to set a master PIN number. This will be the Administrator user which has full control of all options and configuration. **DO NOT LOSE THIS PIN. THE ONLY WAY TO RECOVER THIS IS WITH REMOTE SUPPORT.**

*** If the power on sequence takes longer (up to 5 minutes) ensure that the network cable is connected and the router is running its DHCP server.*

The Poseidon unit should be checked for updates regularly. It is recommended to give access to an 'Engineer' user account with the permission 'Update'. This should be a member of the crew.

BEFORE PROCEEDING! ENSURE THAT THE ENGINES ARE OFF, YOU ARE DOCKED, CONNECTED TO SHORE POWER AND ARE USING A STABLE INTERNET CONNECTION. DOWNLOAD SIZES MAY BE UP TO OR OVER 500MB SO THIS SHOULD NOT BE PERFORMED ON A METERED CONNECTION.

To check for updates;

- Go to the Administration Mode
- Select 'System'
- Select 'Updates'
- Select 'Available'
- Select 'Check for Updates'

If an update is available it will be listed.

- Select Update

The system will now download and install the update. Any failure in the download will cancel the update and report the error, and it will need to be re-attempted.

The system may restart several times during the update procedure, and the unit will automatically reload once completed. All secondary displays or remote clients will need to be restarted/refreshed before use.

4.1 FURTHER FUNCTIONS

All other functions such as;

- Configuring Alarms
- Logic and Automation
- Sensor Logging
- User management
- Media management
- Floor plan configuration
- Widget settings

Please see the Poseidon user manual or follow out video demonstrations on You Tube.

If you require technical support for any Oceanic Systems products you can reach us using the following:-

- Tel (UK): +44(0)1425 610022
- Tel (USA): (844)898 6462
- Email: support@osukl.com
- Web: www.osukl.com
- Post: Oceanic Systems (UK) Ltd
Unit 10-11 Milton Business Centre
Wick Drive, New Milton, BH25 6RH, UK

Oceanic Systems (UK) Ltd
Unit 10-11 Milton Business Centre, Wick Drive,
New Milton, Hampshire, BH25 6RH, United Kingdom

Tel (UK): +44(0)1425 610022 Tel (USA): (844)898 6462
Fax: +44(0)1425 614794 Email: sales@osukl.com
Web: www.osukl.com

Copyright © 2012 Oceanic Systems (UK) Ltd. All rights reserved. Our policy is one of continuous product improvement so product specifications are subject to change without notice. Oceanic Systems products are designed to be accurate and reliable. However, they should be used only as aids to vessel monitoring, and not as a replacement for traditional navigation and vessel monitoring techniques. NMEA2000® is a registered trademark of the National Marine Electronics Association.

Oceanic Systems warrants this product to be free from defects in materials and workmanship for one year from the date of original purchase. If within the applicable period any such products shall be proved to Oceanic Systems satisfaction to fail to meet the above-limited warranty, such products shall be repaired or replaced at Oceanic Systems option. Purchaser's exclusive remedy and Oceanic Systems sole obligation hereunder, provided product is returned pursuant to the return requirements below, shall be limited to the repair or replacement, at Oceanic Systems option, of any product not meeting the above-limited warranty and which is returned to Oceanic Systems; or if Oceanic Systems is unable to deliver a replacement that is free from defects in materials or workmanship, Purchaser's payment for such product will be refunded. Oceanic Systems assumes no liability whatsoever for expenses of removing any defective product or part, or for installing the repaired product or part or a replacement therefore or for any loss or damage to equipment in connection with which Oceanic Systems products or parts shall be used. The foregoing warranties shall not apply with respect to products subjected to negligence, misuse, misapplication, accident, damage by circumstances beyond Oceanic Systems control, to improper installation, operation, maintenance, or storage, or to other than normal use or service.

THE FOREGOING WARRANTIES ARE EXPRESSLY IN LIEU OF AND EXCLUDES ALL OTHER EXPRESS OR IMPLIED WARRANTIES, INCLUDING BUT NOT LIMITED TO THE IMPLIED WARRANTIES OF MERCHANTABILITY AND OF FITNESS FOR A PARTICULAR PURPOSE.

Statements made by any person, including representatives of Oceanic Systems, which are inconsistent or in conflict with the terms of this Limited Warranty, shall not be binding upon Oceanic Systems unless reduced to writing and approved by an officer of Oceanic Systems.

IN NO CASE WILL OCEANIC SYSTEMS BE LIABLE FOR INCIDENTAL OR CONSEQUENTIAL DAMAGES, DAMAGES FOR LOSS OF USE, LOSS OF ANTICIPATED PROFITS OR SAVINGS, OR ANY OTHER LOSS INCURRED BECAUSE OF INTERRUPTION OF SERVICE. IN NO EVENT SHALL OCEANIC SYSTEMS AGGREGATE LIABILITY EXCEED THE PURCHASE PRICE OF THE PRODUCT(S) INVOLVED. OCEANIC SYSTEMS SHALL NOT BE SUBJECT TO ANY OTHER OBLIGATIONS OR LIABILITIES, WHETHER ARISING OUT OF BREACH OF CONTRACT OR WARRANTY, TORT (INCLUDING NEGLIGENCE), OR OTHER THEORIES OF LAW WITH RESPECT TO PRODUCTS SOLD OR SERVICES RENDERED BY OCEANIC SYSTEMS, OR ANY UNDERTAKINGS, ACTS OR OMISSIONS RELATING THERETO.

Oceanic Systems does not warrant that the functions contained in any software programs or products will meet purchaser's requirements or that the operation of the software programs or products will be uninterrupted or error free. Purchaser assumes responsibility for the selection of the software programs or products to achieve the intended results, and for the installation, use and results obtained from said programs or products. No specifications, samples, descriptions, or illustrations provided by Oceanic Systems to Purchaser, whether directly, in trade literature, brochures or other documentation shall be construed as warranties of any kind, and any failure to conform to such specifications, samples, descriptions, or illustrations shall not constitute any breach of Oceanic Systems limited warranty.

WARRANTY RETURN PROCEDURE

To apply for warranty claims, contact Oceanic Systems or one of its dealers to describe the problem and determine the appropriate course of action. If a return is necessary, place the product in its original packaging together with proof of purchase and send to an Authorized Oceanic Systems Service Location. You are responsible for all shipping and insurance charges. Oceanic Systems will return the replaced or repaired product with all shipping and handling prepaid except for requests requiring expedited shipping (i.e. overnight shipments). Failure to follow this warranty return procedure could result in the product's warranty becoming null and void.

Oceanic Systems reserves the right to modify or replace, at its sole discretion, without prior notification, the warranty listed above.