

## NMEA2000® to Modbus Gateway



**Provides Gateway from an NMEA2000® network to a Modbus RS485 interface for all the following devices:**

- 3 engines
- 8 Fuel Tanks
- 8 Fresh Water Tanks
- 8 Grey Water Tanks
- 8 Black Water Tanks
- 8 Oil Tanks
- 3 Generators
- 3 AC Sources such as shore power and AC Bus Bars
- 8 Battery Banks
- 4 Battery Chargers each supporting up to 3 battery banks
- 8 banks of 28 control switches

The 3155 NMEA2000® to Modbus Gateway provides a powerful solution to convert NMEA2000® messages from engines, tank senders, generators, AC monitors, battery banks, battery chargers and control switches to the Modbus RS485 format.

Large yacht monitoring systems use the Modbus RS485 standard to communicate with PLCs and sensors on board to control and monitor on board systems such as tank levels, pump, ventilators, lighting, alarms and other equipment.

Marine equipment manufacturers are increasingly using the NMEA2000® interface to output data from engines, generators, tank senders, battery chargers and other equipment.

The 3155 NMEA2000® to Modbus Gateway provides the perfect link from these device interfaces to the long established Modbus based systems.

The Gateway is designed to be DIN rail mounted in a suitable location conveniently positioned to connect by a single cable to the NMEA2000® network and a single RS485 cable to the Modbus system.

With this Gateway the Modbus system can simply interrogate the NMEA2000® data from the attached devices and even control up to 8 banks of 28 switches/relays to control on board facilities.

It is manufactured to the NMEA2000® network standard and draws just 50mA current from that network.

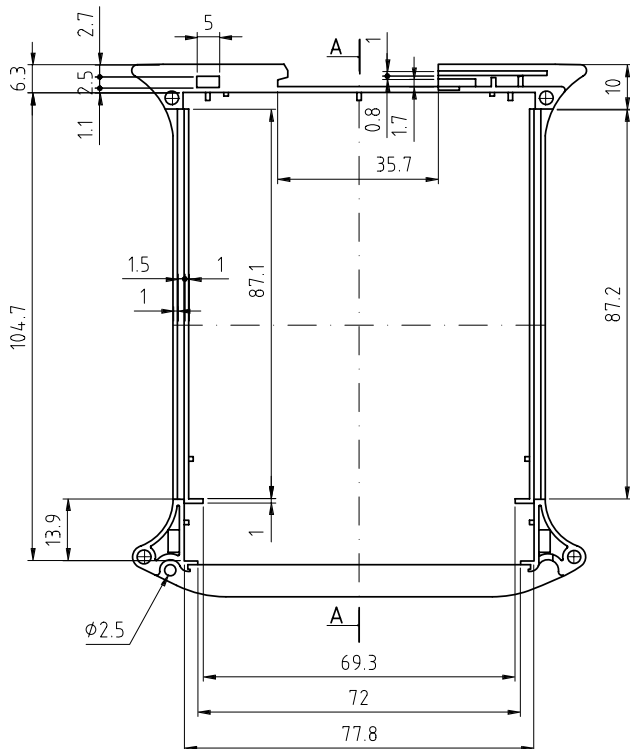
It comes with a detailed User Manual that identifies what NMEA2000® data is available, it's content, the data format and the data range with the Modbus address to read or control that data.

The 3155 is simple. powerful, reliable and very easy to use.

# NMEA2000® to Modbus Gateway

## Part No. 3155

Unit Dimensions



Design Standards			
NMEA2000®		Level B+	
Maritime Nav & RadioComm		IEC60945	
CE & FCC		Electromagnetic Compatibility	
NMEA2000® Parameter Group Numbers (PGNs)			
Source	Max No	PGN	Description
Engines	3	127488	Eng Params, Rapid Update
		127489	Eng Params, Dynamic
Fuel Tanks	8	127505	Fluid Level
Fresh Water Tanks	8		
Grey Water Tanks	8		
Black Water Tanks	8		
Oil Tanks	8		
Generators	3	127504	AC Output Status
Shore Power / AC Busbars	3	127503	AC Input Status
Battery Banks	8	127508	Battery Status
Battery Chargers	3	127507	Charger Status
Switch Banks of 28 switches	8	127501	Switch Bank Status
	8	127502	Switch Bank Control
Electrical and Mechanical			
Operating Voltage	9 to 32 Volts		
Power Consumption	50mA		
Load Equivalence Number	1		
Reverse Battery Protection	Indefinitely		
Load Dump Protection	Yes to SAE J1113		
Size	120 x 100 x 34mm		
Weight	160gm		
Environmental			
IEC06954 Classification	Protected		
Degree of protection	IP40		
Operating Temperature	-25C to 55C		
Storage Temperature	-40C to 70C		
Relative Humidity	93%RH @ 40C per IEC 60945-8.2		
Electromagnetic Emission	Conduct/Radiated per IEC 60945-9		
Electromagnetic Immunity	Conducted/Radiated per IEC 60945-10		

Oceanic Systems (UK) Ltd  
 Unit 10-11 Milton Business Centre, Wick Drive,  
 New Milton, Hampshire, BH25 6RH, United Kingdom

Tel (UK): +44(0)1425 610022 Tel (USA): (844)898 6462  
 Fax: +44(0)1425 614794 Email: sales@osukl.com  
 Web: www.osukl.com

Copyright © 2020 Oceanic Systems (UK) Ltd. All rights reserved. Our policy is one of continuous product improvement so product specifications are subject to change without notice. Oceanic Systems products are designed to be accurate and reliable. However, they should be used only as aids to vessel monitoring, and not as a replacement for traditional navigation and vessel monitoring techniques.

NMEA2000® is a registered trademark of the National Marine Electronics Association.