

NMEA2000® Micro Cabling and Connectors

Micro Trunk/Drop Cable
 3809 - 0.2 Metre
 3810 - 0.5 Metre
 3811 - 1 Metre
 3812 - 2 Metre
 3813 - 3 Metre
 3815 - 5 Metre
 3819 - 10 Metre



Micro Cable Per Metre
 /Micro Cable 100 Metre Reel
 3821 - Per 100 Metre

Micro Trunk/Drop Cable Male/Male
 3825 - 0.5 Metre



Micro Trunk/Drop Female/Female
 3826 - 0.5 Metre



Micro Trunk/Drop Cable Male/Female 90°
 3827 - 0.2 Metre
 3828 - 0.5 Metre
 3829 - 1.0 Metre



3802
 Micro Trunk To Micro
 Drop Tee Adaptor



3802-2
 Micro Tee
 Adaptor - 2 Way



3802-4
 Micro Tee
 Adaptor - 4 Way



3805/3806
 Microfield Installable
 Connector Male



3832
 Micro Power Cable 2
 Metre



3808
 Micro In-Terminator



3801
 Micro Female Blanking
 Plug



3803/3804
 Micro Female/Male
 Terminator



3807
 Micro Bulkhead
 Feed Through



3840
 Micro Elbow Adaptor



- NMEA2000® network standard
- Easy to Install
- Robust Design and Construction
- Waterproof to IP67/68

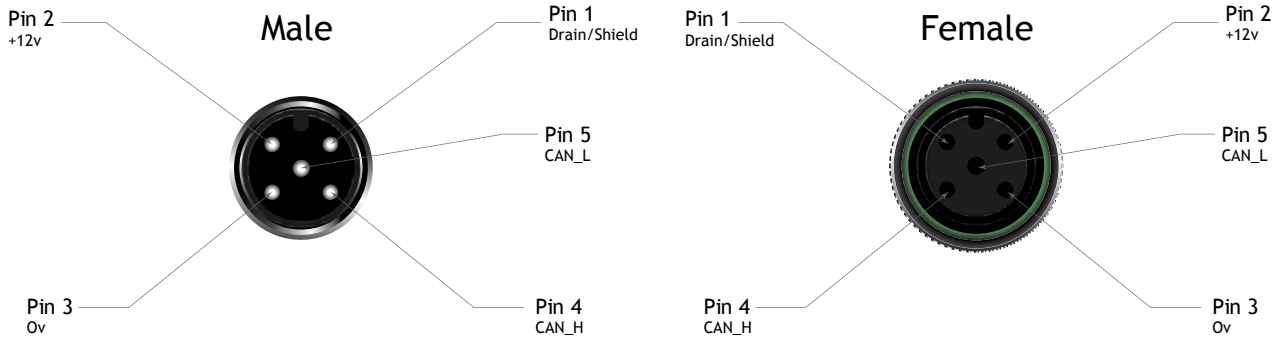
The NMEA2000® network comprises of a single trunk or backbone cable running through the length of the vessel with Tee Adaptors positioned where devices are to be attached to the network and a terminator at each end.

The trunk or backbone cable can be created by either using made up cables or cordsets that come in a range of lengths or by running bulk cable and using field installable connectors where Tee connectors are required.

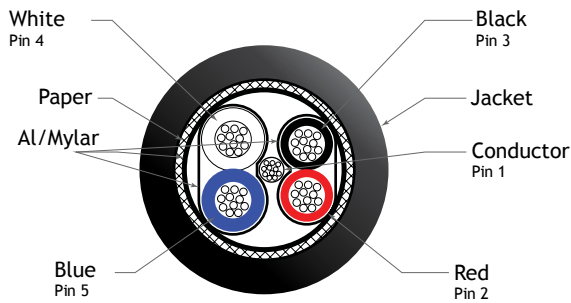


NMEA2000® Micro Cabling and Connectors

Micro Cable Pin Assignment



Micro Cable Specifications



The light pair used for the network power shall be No. 22AWG (0.38 sq. mm) or heavier. The light pair for signals shall have the following electrical characteristics.

No. 24 AWG (0.24 sq. mm) or heavier.
 Characteristics impedance: 95- 140 Ohms
 15 twists (minimum) per metre.

Micro Connectors



Specifications

Connector Material	PU&NY+GF
Nut Material	Brass, Nickel Plated
Pin Material	Alloy, 6u" Min. Gold Plated
Wire	UL1007
IP	68 (IP 67 parts 3805/3806/3802)

Micro Cables



Specifications

Temp	80°C
Voltage	300V
Conductor	Tinned Copper Stranded
Jacket	O.D. 6.85±0.25mm
IP	68

Oceanic Systems (UK) Ltd
 Unit 10-11 Milton Business Centre, Wick Drive,
 New Milton, Hampshire, BH25 6RH, United Kingdom

Tel (UK): +44(0)1425 610022 Tel (USA): (844)898 6462
 Fax: +44(0)1425 614794 Email: sales@osukl.com
 Web: www.osukl.com

Copyright © 2020 Oceanic Systems (UK) Ltd. All rights reserved. Our policy is one of continuous product improvement so product specifications are subject to change without notice. Oceanic Systems products are designed to be accurate and reliable. However, they should be used only as aids to vessel monitoring, and not as a replacement for traditional navigation and vessel monitoring techniques.

NMEA2000® is a registered trademark of the National Marine Electronics Association.