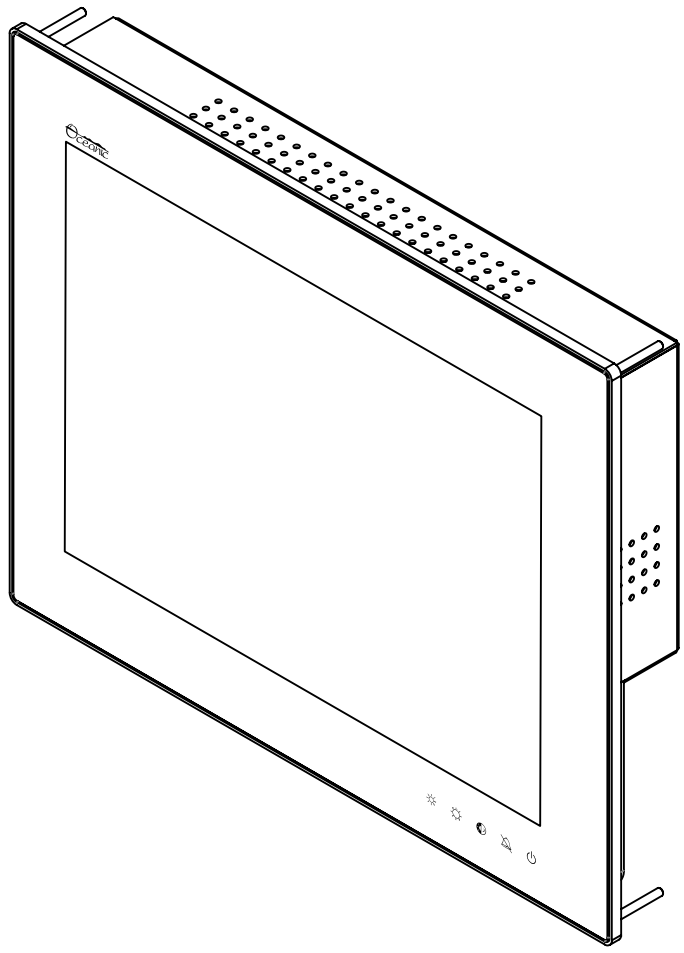


**iDACS NMEA2000® INTEGRATED ALARM, DISPLAY
AND CONTROL SYSTEM**
Part Numbers: 4141, 4142
USER MANUAL



Revision 1.00

1 Introduction	2
1.1 Product Features	2
2 Installation	3
2.1 Unpacking the box.....	3
2.2 Mounting the unit	3
2.3 Connecting The iDACS Display	4
3 User Controls.....	5
3.1 Day/Night Mode Description	5
3.2 To Always Start The Screen With The Bright Day Setting	5
3.3 To Always Start The Screen With The Darker Night Setting.....	5
4 To Operate The iDACS Display	6
5 iDACS Software	7
6 Unit Dimensions	8
7 Technical Support	9
8 Warranty	10

1

INTRODUCTION

The Oceanic Systems NMEA2000® Integrated Alarm, Display and Control System is available in, 10.4”and 15” sizes each with high bright sunlight readable 1000mcd displays.

The system can control all or any of the vessels systems with graphic mimic displays to indicate the status of all the vessel’s systems. These can include AC and DC electrical switching, pumps, chillers, air handling units, lighting and many others.

1.1 PRODUCT FEATURES

The Oceanic Systems NMEA2000® iDACS Display has the following features:

- Sunlight readable dimmable display using our BlackGlass™ technology
- Optically bonded projected capacitance touch screen for clarity and sensitivity, also allows use with a gloved finger
- Display images configurable to meet boat builders own in house style
- Control of any or all vessels systems with full graphic mimics
- Monitoring of vessels resources with user settable alarms
- Logging of all alarm conditions for later analysis
- Full unlimited Software Licence included
- Uses proven NMEA2000® network interface

2

INSTALLATION

2.1 UNPACKING THE BOX

You will find the following items in the shipping box:

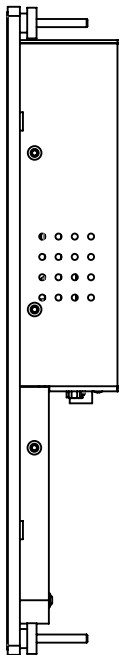
- 1 x iDACS display
- 1 x DC Power cable
- 1 x Bag containing 4 thumbwheel nuts & 4 sprung washers
- 1 x User Manual (This Document)
- 1 x Mounting cut out template

2.2 MOUNTING THE UNIT

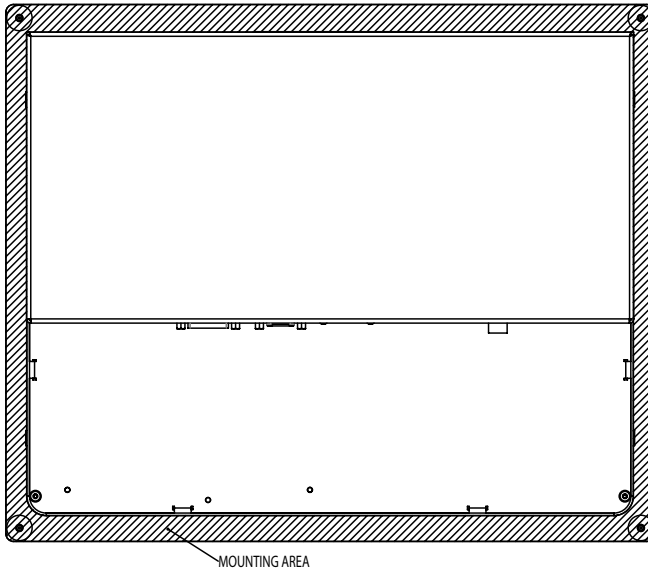
1. The unit should be mounted through a panel to a flat surface.
2. It can be mounted 45 degrees either way of vertical.
3. There should be adequate ventilation around the product to prevent heat build up.
4. Remember to allow enough clearance for access to cables and connectors.
5. Using the 4 mounting studs and thumbwheel nuts, to secure the unit.
6. The unit should be sealed to the mounting surface using silicone sealant. This silicone sealant will be part of the seal used to provide the IP rating for the product.

Once the cut-out and mounting holes have been created in the substrate, carefully slide the unit into the cut-out, then from the other side fit the sprung washer & four thumbnuts and hand tighten.

Side view showing outline.



Rear view line drawing showing outline, mounting studs and mounting area. Please see dimensional drawing in section 6.



2.3 CONNECTING THE iDACS DISPLAY

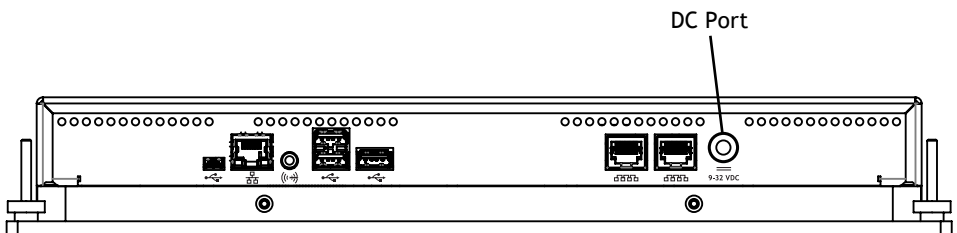
Before making any connections to the unit, ensure the NMEA2000® bus power and DC supply are turned off.

Mate NMEA2000® cable to ‘Socket’ on the back of the unit, observing correct orientation to ensure the keyway aligns. The cable can be extended up to 6mtrs and connect into the adapter on the network backbone. Ensure that the screw ring is securely tightened so that the connection remains waterproof and sound.

Ethernet connector is for internal Oceanic Systems programming use **ONLY**
RS232 is for internal Oceanic Systems programming use **ONLY**

The DC Power cable can be inserted into the port marked $\overline{9-32\text{ VDC}}$ ensuring correct orientation, when fully inserted you should hear the plug “click in”.

There are three USB A and one USB OTG connectors, “C, D, E holes” these are **not for customer use** and are intended for future Oceanic Systems usage.



3**USER CONTROLS**

Situated in the bottom right hand corner of the display are touch capacitive touch buttons, see below:



DIM



BRIGHT



DAY/NIGHT



ALARM MUTE



STANDBY

Button	Function
DIM	Each touch will decrement the brightness level, holding the touch will continue to decrement until the minimum level is reached.
BRIGHT	Each touch will increment the brightness level, holding the touch will continue to increment until the minimum level is reached.
DAY/NIGHT MODE	This toggle between Day and Night Mode (please see operational description below)
ALARM MUTE	This will mute all current active alarm conditions
STANDBY	A touch of over half a second will turn the unit on, a long touch of over two seconds will turn the unit off and into standby.

3.1 DAY/NIGHT MODE DESCRIPTION

The “day/night button” switches between two modes. Every time the button gets pressed the backlight toggles day/night mode. When the device is turned on it always starts the backlight in MODE 1. The brightness of each mode gets saved when the device is turned off.

3.2 TO ALWAYS START THE SCREEN WITH THE BRIGHT DAY SETTING

Turn on the screen, adjust the brightness to the bright day setting (MODE 1), now press the “day/night button”, and adjust brightness to the darker night setting (MODE 2), turn device off. From now on the screen starts with the bright day setting (MODE 1) and as soon as the “day/night button” gets pressed switches into the darker night setting (MODE 2).

3.3 TO ALWAYS START THE SCREEN WITH THE DARKER NIGHT SETTING

Turn on the screen, adjust the brightness to the darker night setting (MODE 1), now press the “day/night button”, adjust brightness to the bright day setting (MODE 2), turn device off. From now on the screen starts with the darker night setting (MODE 1) and as soon as the “day/night button” gets pressed switches into the brighter day setting (MODE 2).

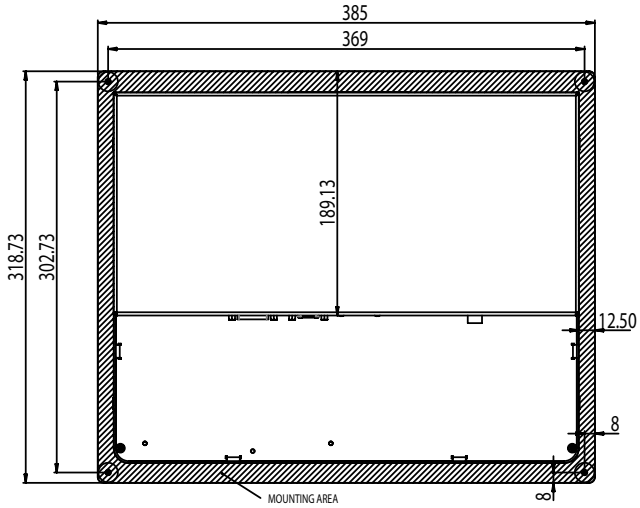
- Touch and hold the standby button for over half a second to power on the unit.
- After approx 1 minute the computer will boot up into the home screen.
- Set your desired DAY & NIGHT backlight brightness as per in section 3.
- To operate the unit, touch the screen over a button to select.
- To switch between screens/tabs either click the relevant page button, or “swipe” the page from left to right or right to left.

The operation of the iDACS software will be bespoke for each boat builder, therefore the instructions for which will be separate to this manual

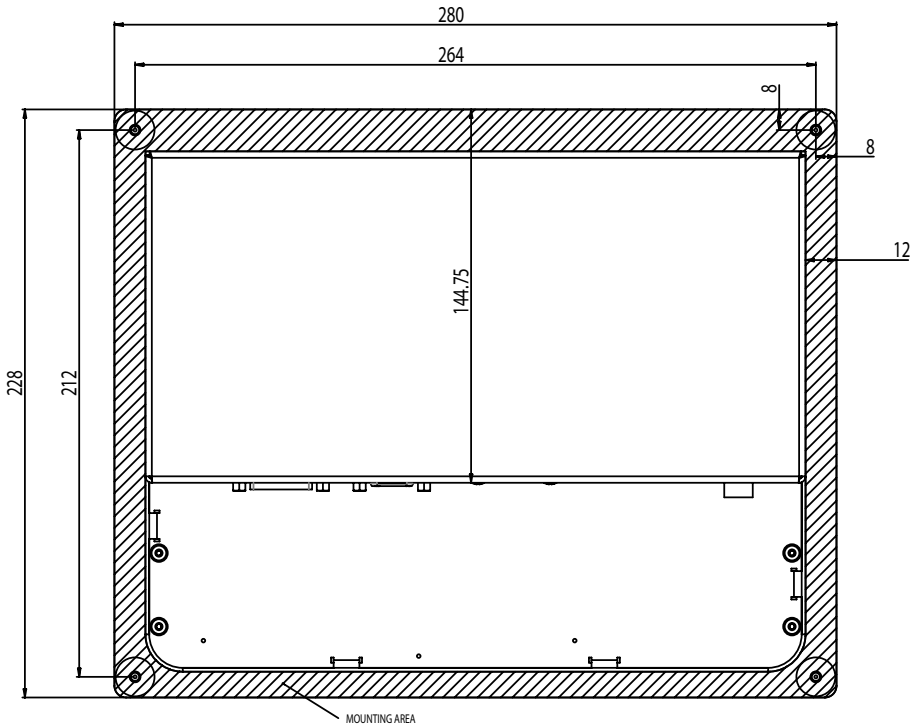
6

UNIT DIMENSIONS

iDACS 10.4" monitor



iDACS 15" monitor



If you require technical support for any Oceanic Systems products you can reach us using any of the following:-

- Tel (UK): +44(0)1425 610022
- Tel (USA): (844)898 6462
- Fax: +44(0)1425 614794
- Email: support@osukl.com
- Web: www.osukl.com
- Post: Oceanic Systems Ltd
Unit 10-11 Milton Business Centre
Wick Drive, New Milton, Hampshire BH25 6RH

Oceanic Systems (UK) Ltd
Unit 10-11 Milton Business Centre, Wick Drive,
New Milton, Hampshire, BH25 6RH, United Kingdom

Tel (UK): +44(0)1425 610022 Tel (USA): (844)898 6462
Fax: +44(0)1425 614794 Email: sales@osukl.com
Web: www.osukl.com

Copyright © 2020 Oceanic Systems (UK) Ltd. All rights reserved. Our policy is one of continuous product improvement so product specifications are subject to change without notice. Oceanic Systems products are designed to be accurate and reliable. However, they should be used only as aids to vessel monitoring, and not as a replacement for traditional navigation and vessel monitoring techniques. NMEA2000® is a registered trademark of the National Marine Electronics Association.

Oceanic Systems warrants this product to be free from defects in materials and workmanship for one year from the date of original purchase. If within the applicable period any such products shall be proved to Oceanic Systems satisfaction to fail to meet the above-limited warranty, such products shall be repaired or replaced at Oceanic Systems option. Purchaser's exclusive remedy and Oceanic Systems sole obligation hereunder, provided product is returned pursuant to the return requirements below, shall be limited to the repair or replacement, at Oceanic Systems option, of any product not meeting the above limited warranty and which is returned to Oceanic Systems; or if Oceanic Systems is unable to deliver a replacement that is free from defects in materials or workmanship, Purchaser's payment for such product will be refunded. Oceanic Systems assumes no liability whatsoever for expenses of removing any defective product or part, or for installing the repaired product or part or a replacement therefore or for any loss or damage to equipment in connection with which Oceanic Systems products or parts shall be used. The foregoing warranties shall not apply with respect to products subjected to negligence, misuse, misapplication, accident, damage by circumstances beyond Oceanic Systems control, to improper installation, operation, maintenance, or storage, or to other than normal use or service.

THE FOREGOING WARRANTIES ARE EXPRESSLY IN LIEU OF AND EXCLUDES ALL OTHER EXPRESS OR IMPLIED WARRANTIES, INCLUDING BUT NOT LIMITED TO THE IMPLIED WARRANTIES OF MERCHANTABILITY AND OF FITNESS FOR A PARTICULAR PURPOSE.

Statements made by any person, including representatives of Oceanic Systems, which are inconsistent or in conflict with the terms of this Limited Warranty, shall not be binding upon Oceanic Systems unless reduced to writing and approved by an officer of Oceanic Systems.

IN NO CASE WILL OCEANIC SYSTEMS BE LIABLE FOR INCIDENTAL OR CONSEQUENTIAL DAMAGES, DAMAGES FOR LOSS OF USE, LOSS OF ANTICIPATED PROFITS OR SAVINGS, OR ANY OTHER LOSS INCURRED BECAUSE OF INTERRUPTION OF SERVICE. IN NO EVENT SHALL OCEANIC SYSTEMS AGGREGATE LIABILITY EXCEED THE PURCHASE PRICE OF THE PRODUCT(S) INVOLVED. OCEANIC SYSTEMS SHALL NOT BE SUBJECT TO ANY OTHER OBLIGATIONS OR LIABILITIES, WHETHER ARISING OUT OF BREACH OF CONTRACT OR WARRANTY, TORT (INCLUDING NEGLIGENCE), OR OTHER THEORIES OF LAW WITH RESPECT TO PRODUCTS SOLD OR SERVICES RENDERED BY OCEANIC SYSTEMS, OR ANY UNDERTAKINGS, ACTS OR OMISSIONS RELATING THERETO.

Oceanic Systems does not warrant that the functions contained in any software programs or products will meet purchaser's requirements or that the operation of the software programs or products will be uninterrupted or error free. Purchaser assumes responsibility for the selection of the software programs or products to achieve the intended results, and for the installation, use and results obtained from said programs or products. No specifications, samples, descriptions, or illustrations provided by Oceanic Systems to Purchaser, whether directly, in trade literature, brochures or other documentation shall be construed as warranties of any kind, and any failure to conform to such specifications, samples, descriptions, or illustrations shall not constitute any breach of Oceanic Systems limited warranty.

WARRANTY RETURN PROCEDURE

To apply for warranty claims, contact Oceanic Systems or one of its dealers to describe the problem and determine the appropriate course of action. If a return is necessary, place the product in its original packaging together with proof of purchase and send to an Authorized Oceanic Systems Service Location. You are responsible for all shipping and insurance charges. Oceanic Systems will return the replaced or repaired product with all shipping and handling prepaid except for requests requiring expedited shipping (i.e. overnight shipments). Failure to follow this warranty return procedure could result in the product's warranty becoming null and void.

Oceanic Systems reserves the right to modify or replace, at its sole discretion, without prior notification, the warranty listed above.