

HD IP Camera White/Grey



- Ultra-low illumination and high performance real-time screen, support ABLC image effect.
- Water resistant IP66 housing
- Support dual-stream
- Support OSD, colour, brightness, saturation and digital zoom settings
- Supports real time video transmissions, video motion detection, and privacy masking

4MP Day Night mini Eyeball camera with an 4 megapixel picture resolution.

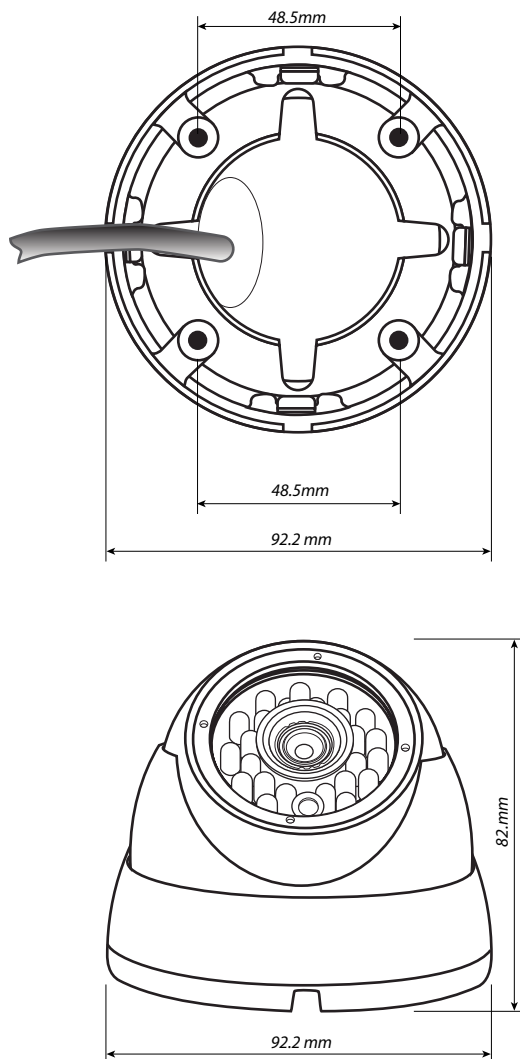
This mini Eyeball camera has build-in POE and includes features like dual video streams, digital noise reduction, 3-axis adjustment.

IP66 rated housing to protect the camera against harsh outdoor weather conditions.

Suitable for wall or ceiling mounting.

HD IP Camera

Part No. 5350 (White) & 5351 (Grey)



Specifications	
Sensor	Omni Vision 1/3" Progressive Scan CMOS
Min illumination	Colour 0.05Lux, IR ON 0Lux
Day & Night	ICR (infra-filter)
Shutter Speed	1/5-1/10000
Lens	3.6mm fixed lens
Field of View	-80 degrees
IR LED	IR Range 15m
Video Compression	H.264 High / Main / Baseline Profile, MJPEG
Bit Rate (CBR/VBR)	Main Stream 500kb-12Mb; Sub-stream 100kb-6Mb
Max Resolution	2560*1440@20fps 1920*1080@30fps
Image Setting	Rotate , Saturation, Brightness, Contrast, Sharpness
Security	User security authentication, Reset
Compatibility	ONVIF, CGI
Ethernet	1 Ethernet (10/100Base-T) RJ45 Connector
Power Supply	DC 12v or Built-in POE (IEEE 802.3af)
Operating Temperature	-20 - 50 degree, RH 85% Max
IP Rating	IP66
Dimension	92.2 Dia x 76.5 mm

Oceanic Systems (UK) Ltd
Unit 10-11 Milton Business Centre, Wick Drive,
New Milton, Hampshire, BH25 6RH, United Kingdom

Tel: +44(0)1425 610022
Email: sales@osukl.com

Fax: +44(0)1425 614794
Web: www.osukl.com

Copyright © 2020 Oceanic Systems (UK) Ltd. All rights reserved. Our policy is one of continuous product improvement so product specifications are subject to change without notice. Oceanic Systems products are designed to be accurate and reliable. However, they should be used only as aids to vessel monitoring, and not as a replacement for traditional navigation and vessel monitoring techniques.

NMEA2000® is a registered trademark of the National Marine Electronics Association.