

Submersible Hydrostatic Fuel Sensor 0-2m & 0-4m tank depths.



- **Depth range: 0-2m & 0-4m**
Accuracy: $\pm 0.5\%FS$
- **Flexible submersible measurement**
- **Two wire 4-20mA current output**
- **Extended temperature range**
- **PTFE cable cover**
- **CE certified**

The Oceanic Systems' Submersible Hydrostatic Fuel Tank Sensor is designed with piezoresistive technology.

The housing is rated to IP68 and are hermetically sealed making them perfectly suited for the Fuel Tank environment.

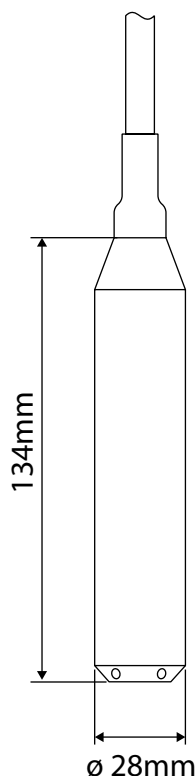
The sensors give long term and accurate readings at pressure ranges from 100 mbar up to 20 bar in the measurement of level and depth.

The electrical connection is a specially designed PU cable with an air tube and the pressure connection is an exposed 316L stainless steel corrugated diaphragm resulting in no pressure port and no blocking problems.

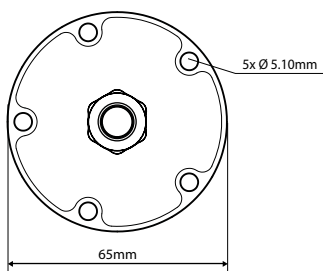
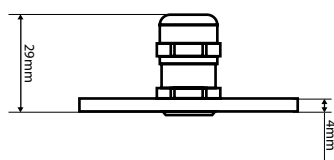
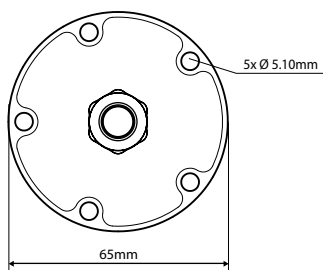
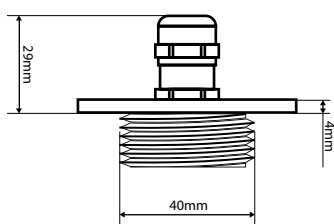
Submersible Hydrostatic Fuel Sensor

Part No. 4652-4653

Unit Dimensions



Support Glands dimensions

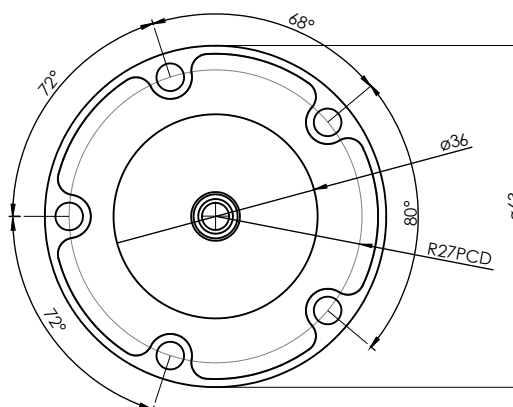


Technical Specifications

Pressure range	0-200mBar (PT No. 4652) 0-400mBar (PT No. 4653)
Pressure type	Gauge
Output signal	2-wire 4-20mA
Compensated temperature range	-10-70°C
Operating temperature range	-40-125°C
Storage temperature range	-40-125°C
Temperature effect on zero	± 1 . 5 % F S
Temperature effect on span	± 1 . 5 % F S
Over pressure	150%FS
Mechanical vibration	2 0 g (2 0 - 5 0 0 0 H Z)
Shock/impact	100g (11ms)
Comprehensive error	±0.1%FS ±0.5%FS ±0.25%FS
Long-term stability	±0.2%FS/year
Insulation	100MΩ/250VDC
Material	Probe of all stainless steel; housing of 304 SS
Medium compatible	Compatible with 316L SS of all kinds of medium
Protection	IP68
Weight	0.6kg(with 5m cable)

Connection Way

Cable colour	2-Wire (4-20ma)
Function	
Input+	Red wire
Output	Green wire
Input	-



NTS

Oceanic Systems (UK) Ltd
Unit 10-11 Milton Business Centre, Wick Drive,
New Milton, Hampshire, BH25 6RH, United Kingdom

Tel (UK): +44(0)1425 610022
Fax: +44(0)1425 614794
Web: www.osukl.com

Tel (USA): (844)898 6462
Email: sales@osukl.com

Copyright © 2020 Oceanic Systems (UK) Ltd. All rights reserved. Our policy is one of continuous product improvement so product specifications are subject to change without notice. Oceanic Systems products are designed to be accurate and reliable. However, they should be used only as aids to vessel monitoring, and not as a replacement for traditional navigation and vessel monitoring techniques.

NMEA2000® is a registered trademark of the National Marine Electronics Association.