

# CARBON MONOXIDE DETECTOR

## FEATURES

- ◆ Unique 5 year module replacement system
- ◆ Up to 5 years battery back up
- ◆ Low maintenance & low cost of ownership
- ◆ Secure installation
- ◆ 230Vac & 12/24Vdc options
- ◆ Easy integration within existing systems
- ◆ Interconnect and relay output options
- ◆ Every alarm is tested and calibrated in carbon monoxide
- ◆ No re-wiring or main unit replacement costs

### The 5301 Carbon Monoxide Detector is a reliable, hard wired carbon monoxide alarm with battery backup.

The unit offers up to 5 years battery backup allowing for continuous protection – even in the event of power loss.

This also allows the unit to be operational whilst waiting for permanent installation.

Units can be provided to operate from various voltage options. 230Vac or 12/24Vdc units are all available for differing applications.

The unit incorporates a unique module replacement system. There are no re-wiring or main unit replacement costs, just a simple, clip-in module to change once every 5 years. This results in low ownership costs and minimal maintenance.



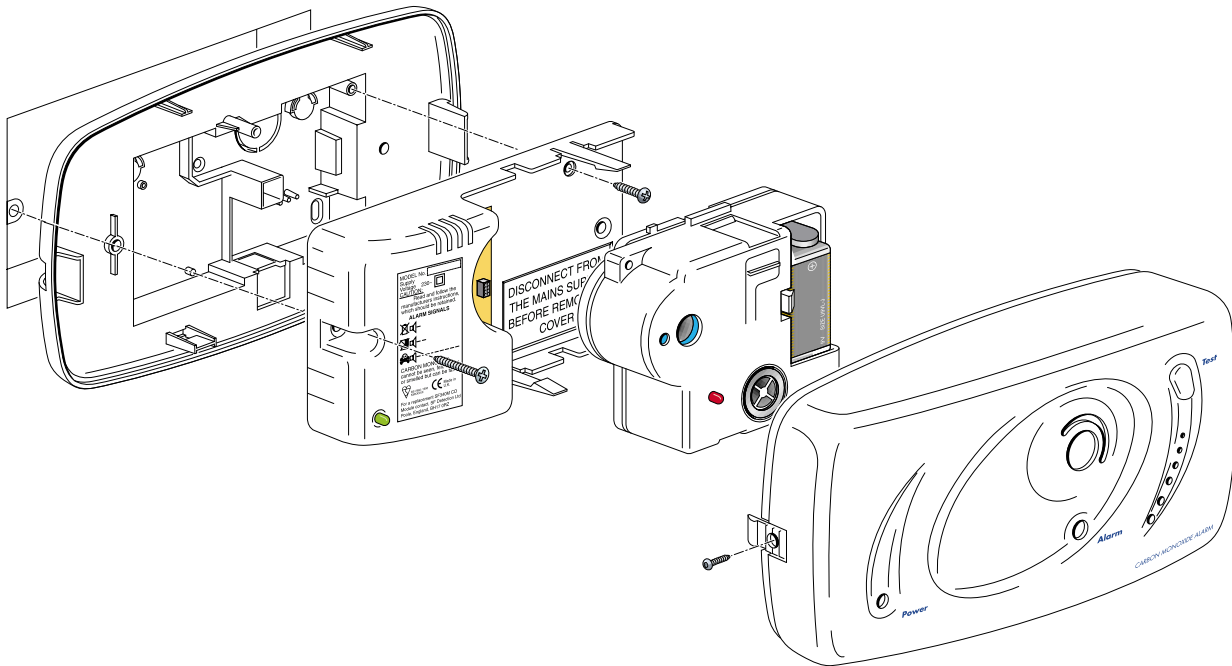
Locking screws also ensure that only authorised persons can gain access to the unit.

Units are available with relay output and interconnect options. This enables connection to control panels, shut-off valves, remote alarms... etc, as well as allowing numbers of alarms to be linked together in series.

An internal diagnostic facility means the unit carries out continuous self-monitoring. If any fault is located in the sensor, battery or circuits, the unit will automatically give a warning signal within 60 seconds.

# CARBON MONOXIDE DETECTOR

Part Number 5301



Detection Principle	Electrochemical cell
Operating Voltage:	230Vac or 12/24Vdc
Backup Battery:	9Vdc pp3
Power Consumption:	<2.5W
Main Unit Life:	No replacement required (10 year guarantee)
Module Life:	5 years (guaranteed)
Module Replacement Warning:	Double buzzer chirp every minute
Alarm Indication:	Buzzer and flashing red light
Buzzer Output:	85 decibels (dB) at 3m
Operating Temperature Range:	-5 to +40°C
Alarm Levels:	(BS7860: 1996) 150ppm, between 10 to 30 minutes, 350ppm within 6 minutes
Weight:	575g approx.
Dimensions:	170 x 110 x 65mm
Test Facility:	Yes

## Oceanic Systems (UK) Ltd

Unit 10-11 Milton Business Centre, Wick Drive, New Milton,  
Hampshire, BH25 6RH, United Kingdom

Tel (UK): +44(0)1425610022    Tel (USA): (844)898 6462  
Fax: +44(0)1425 614794    Email: sales@osukl.com  
Web: www.osukl.com

Copyright © 2020 Oceanic Systems (UK) Ltd. All rights reserved.

Our policy is one of continuous product improvement so product specifications are subject to change without notice. Oceanic Systems products are designed to be accurate and reliable. However, they should be used only as aids to vessel monitoring, and not as a replacement for traditional navigation and vessel monitoring techniques.

NMEA2000® is a registered trademark of the National Marine Electronics Association.