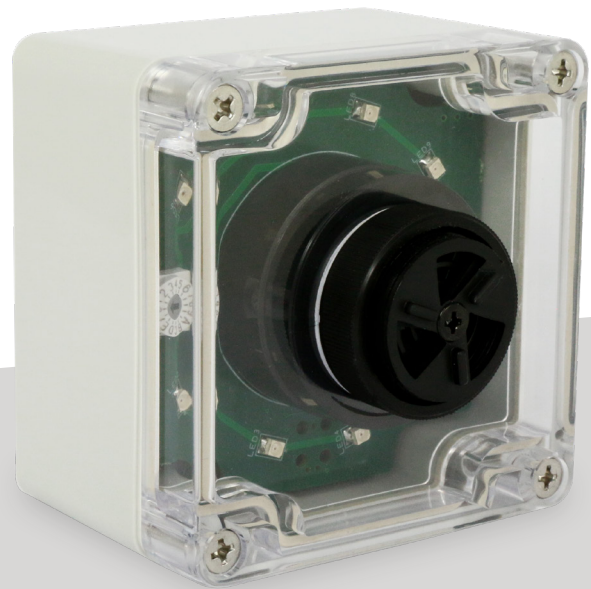




# ALARM SOUNDER

## FEATURES

- ◆ NMEA2000® Network Interface
- ◆ Super loud 105dB audible alarm
- ◆ Bright Red LED visual alarm
- ◆ Blue LED status indicator
- ◆ Surface or flush mounted
- ◆ 8 selectable alarm patterns
- ◆ Waterproof and can be mounted indoors or outdoors



## Oceanic Systems 5330 Alarm Sounder generates visual and audible alerts for any monitored condition.

The Alarm Sounder includes an extremely loud 105 dB SPL Piezoelectric sounder, along with a ring of red high-brightness LEDs to ensure full awareness of the alarm condition when it sounds, both audibly and visually. Additionally, a blue LED indicates that the Alarm Module is powered and communicating with Poseidon.

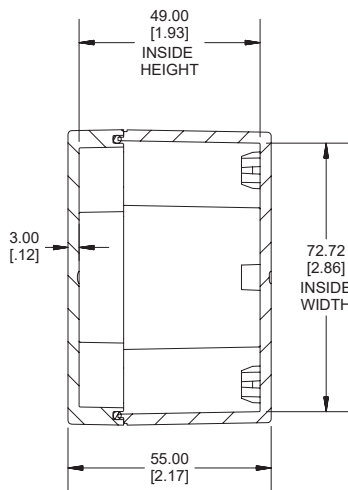
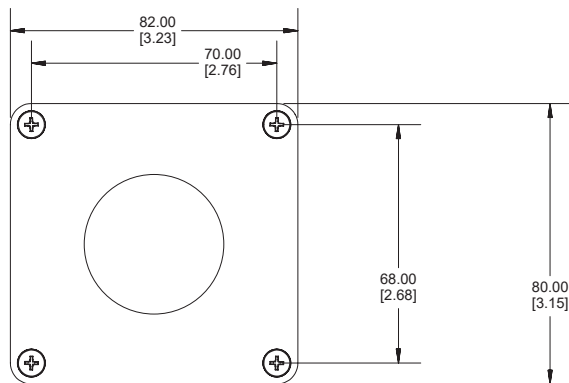
Featuring 8 distinct selectable alarm patterns, alerts are distinguishable and the alarm sounder can also be triggered by alarms generated by Poseidon.

The alarm sounder mounts in a standard box or can be surface or flush mounted on any surface. It is also completely waterproof, meaning the Alarm Sounder can be mounted inside or outside the vessel.

# Alarm Sounder

Part Number 5330

## Dimensions



## Electrical and Mechanical

Parameter	Value	Comment
Operating Voltage	9 – 32 Volts	DC Voltage
Power Consumption	100mA	NMEA 2000 Interface
Load Equivalence Number (LEN)	2	NMEA 2000® Spec. (1LEN = 50 mA)
Reverse Battery Protection	Yes	Indefinitely
Load Dump Protection	Yes	Energy Rated per SAE J1113
Size	82 x 80 x 49 mm	
Weight	260g	grms

## Specifications and Certifications

Parameter	Value	Comment
Annunciator Volume	105 dB SPL	Mechanical Volume Control
Annunciator Frequency	2.9kHz	

Standard	Comment
NMEA2000®	Level A
Maritime Navigation and Radio Communication Equipment & Systems	IEC 61162-3
Maritime Navigation and Radio Communication Equipment & Systems	IEC 60945
FCC and CE mark	Electromagnetic Compatibility

## NMEA2000® Parameter Group Numbers (PGNs)

Description	PGN	PGN Name	Default rate
Periodic Data PGNS	065476	Proprietary Alarm Trigger	1 time/second
Response to Requested PGNS	126464	PGN List (Transmit and Receive)	N/A
	126996	Product Information	N/A
	126998	Configuration Information	N/A
Protocol PGNS	059392	ISO Acknowledge	N/A
	059904	ISO Request	N/A
	060928	ISO Address Claim	N/A
	065240	ISO Address Command	N/A
	126208	NMEA	N/A

## Environmental

Parameter	Value
IEC 60945 Classification	Exposed
Degree of Protection	IP67
Operating Temperature	-25°C to 55°C
Storage Temperature	-40°C to 70°C
Relative Humidity	93% RH @40°C per IEC60945-8.2
Vibration	2-13.2Hz @ ±1mm, 13.2-100Hz @ 7m/s <sup>2</sup> per IEC 60945-8.7
Rain and Spray	12.5mm Nozzle @ 100liters/min from 3m for 30min per IEC 60945-8.8
Solar Radiation	Ultraviolet B, A, Visible, and Infrared per IEC 60945-8.10
Corrosion (Salt Mist)	4 times 7days @ 40°C, 95%RH after 2 hour Salt Spray Per IEC 60945-8.12
Electromagnetic Emission	Conducted and Radiated Emission per IEC 60945-9
Electromagnetic Immunity	Conducted, Radiated, Supply, and ESD per IEC 60945-10
Safety Precautions	Dangerous Voltage, Electromagnetic Radio Frequency per IEC 60945-12

## Oceanic Systems (UK) Ltd

Unit 10-11 Milton Business Centre, Wick Drive, New Milton, Hampshire, BH25 6RH, United Kingdom

Tel (UK): +44(0)1425610022    Tel (USA): (844)898 6462  
 Fax: +44(0)1425 614794    Email: sales@osukl.com  
 Web: www.osukl.com

Copyright © 2021 Oceanic Systems (UK) Ltd. All rights reserved.

Our policy is one of continuous product improvement so product specifications are subject to change without notice. Oceanic Systems products are designed to be accurate and reliable. However, they should be used only as aids to vessel monitoring, and not as a replacement for traditional navigation and vessel monitoring techniques.

NMEA2000® is a registered trademark of the National Marine Electronics Association.