



MAGNETIC SWITCH CYLINDRICAL INDOOR/OUTDOOR

FEATURES

- ◆ White door and window switch
- ◆ Normally open configuration
- ◆ Proximity switch activation
- ◆ Switching current of 500 DC mA
- ◆ Switching voltage of 50 V DC
- ◆ Operating gap of 15 mm
- ◆ Height of 30 mm
- ◆ Width diameter of 9 mm
- ◆ RoHS (Restriction of Hazardous Substances) compliant

The 5322 Magnetic Switch Cylindrical Indoor/Outdoor creates a signal that's broken whenever a door or window is opened, triggering an alarm.

This product can be used reliably for longer periods and has a switching current of 500 DC mA. Featuring a normally open switch configuration with a supervisory loop, it's designed to be very difficult to bypass. White in colour and with an ultra-compact body measuring 30 mm x 9 mm, this switch will be almost invisible to any would-be intruders once installed. A 300 mm long cable means you can install the switch even at a distance from doors and windows.

In conformance with BS 4737-3, this product has a tamper loop to prevent interference. RoHS (Restriction of Hazardous Substances) compliance means it has no hazardous substance in excess of 0.1%.



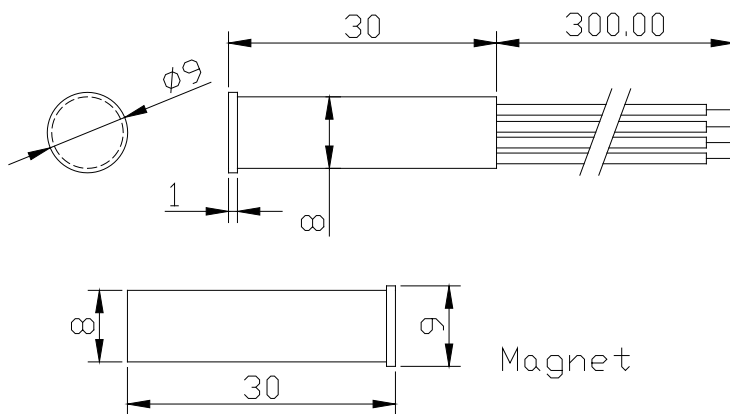
In addition, the unit tracks LED power on hours and warns when the LED has reached its useful life and needs to be replaced to maintain safe navigation light visible distances.

Each circuit has a manual override on or off and a self resetting safety fuse.

The units are standard DIN rail mounted and have WAGO style cage clamp connections.

MAGNETIC SWITCH CYLINDRICAL INDOOR/OUTDOOR

Part Number 5322



Normally open + supervisory loop	
Operating distance	15mm
Maximum switching voltage	50 V/DC
Maximum switching current	0.5 Amps DC (Resistive)
Maximum power	10 W/VA
Contact resistance	1 Ohm (typical)
Operating temperature	-10°C to +60°C

Oceanic Systems (UK) Ltd

Unit 10-11 Milton Business Centre, Wick Drive, New Milton,
Hampshire, BH25 6RH, United Kingdom

Tel (UK): +44(0)1425610022 Tel (USA): (844)898 6462
Fax: +44(0)1425 614794 Email: sales@osukl.com
Web: www.osukl.com

Copyright © 2020 Oceanic Systems (UK) Ltd. All rights reserved.

Our policy is one of continuous product improvement so product specifications are subject to change without notice. Oceanic Systems products are designed to be accurate and reliable. However, they should be used only as aids to vessel monitoring, and not as a replacement for traditional navigation and vessel monitoring techniques.

NMEA2000® is a registered trademark of the National Marine Electronics Association.