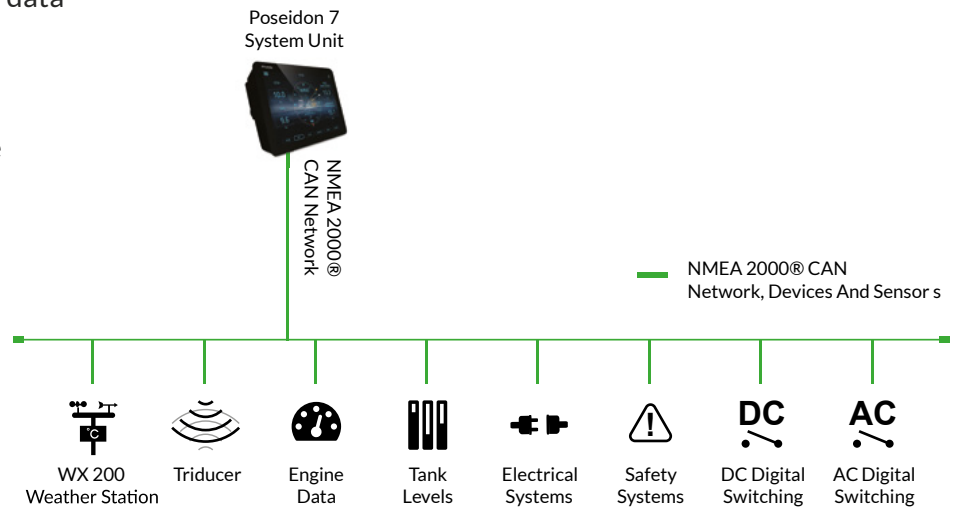


POSEIDON® 7 7" INTEGRATED MONITORING AND CONTROL SYSTEM

FEATURES

- ◆ Monitor, display and control ships data
- ◆ NMEA2000® Certified
- ◆ Breathtaking vector graphics
- ◆ High resolution, sunlight readable touchscreen display
- ◆ Fully customisable interface
- ◆ IP67 for all-weather use



Poseidon 7 offers both sail and power boats the ability to monitor and control any vessel data and display it effortlessly on the small, yet powerful display unit.

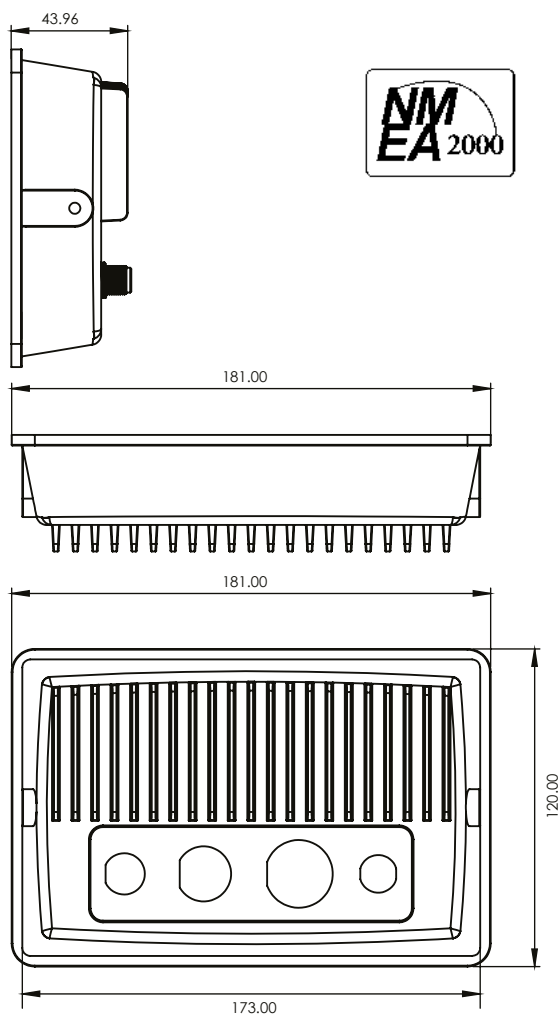
Ideal for 25-60ft vessels of all types, the NMEA2000® certified 7" integrated monitoring and control system monitors and controls any systems from tank levels, engines, AC and DC power and digital switching, bilge and fire detection systems, and all other vessel systems with ease.

Poseidon® 7

7" Integrated Monitoring and Control System

Part Number 5185

Dimensions



Design Standard

NMEA2000®	Certified
Maritime Navigation and Radio Communication Equipment	Designed to IEC61162-3
Maritime Navigation and Radio Communication Equipment	Designed to IEC60945
CE and FCC	Electromagnetic Compatibility

NMEA2000® Parameter Group Numbers (PGNs)

Description	PGN	PGN Name	Default rate
Periodic data PGNs	126993	Heartbeat	60 secs
Response to requested PGNs	131009	Channel Status (proprietary)	N/A
	126464	PGN List (Transmit and Receive)	N/A
	126996	Product Information	N/A
	126998	Configuration Information	N/A
Protocol PGNs	059392	ISO Acknowledge	N/A
	059904	ISO Request	N/A
	060928	ISO Address Claim	N/A
	065240	ISO Address Command	N/A
	126208	Complex Command	N/A

Electrical and Mechanical

Parameter	Value	Comment
CAN Operating Voltage	9 to 32 Volts	
Power Consumption	TBA	Average Operating
Load Equivalence Number	TBA	LEN
Size	118x180x44	mm
Weight	TBA	gm
Mount	Panel Mount	Standard
	Trunnion	Optional bracket
Connectors	NMEA2000®	Sealed M12 Micro-C
	USB	Sealed
	Ethernet	Sealed
	Power	Sealed 2 Pin

Environmental

Parameter	Value
IEC 60945 Classification	Protected
Degree of Protection	IP67
Operating Temperature	-25°C to 50°C
Storage Temperature	-40°C to 70°C
Relative Humidity	93%RH @40° per IEC60945-8.2
Vibration	2-13.2Hz @ ±1mm, 13.2-100Hz @ 7m/s ² per IEC 60945-8.7
Electromagnetic Emission	Conducted and Radiated Emission per IEC 60945-9
Electromagnetic Immunity	Conducted, Radiated, Supply, and ESD per IEC 60945-10

Oceanic Systems (UK) Ltd

Unit 10-11 Milton Business Centre, Wick Drive, New Milton, Hampshire, BH25 6RH, United Kingdom

Tel (UK): +44(0)1425610022 Tel (USA): (844)898 6462
 Fax: +44(0)1425 614794 Email: sales@osukl.com
 Web: www.osukl.com

Copyright © 2020 Oceanic Systems (UK) Ltd. All rights reserved.

Our policy is one of continuous product improvement so product specifications are subject to change without notice. Oceanic Systems products are designed to be accurate and reliable. However, they should be used only as aids to vessel monitoring, and not as a replacement for traditional navigation and vessel monitoring techniques.

NMEA2000® is a registered trademark of the National Marine Electronics Association.