

NMEA2000®

MICRO CABLING & CONNECTORS

Micro Trunk/ Drop Cable

3809 - 0.2 Metre
 3810 - 0.5 Metre
 3811 - 1 Metre



Micro Trunk/ Drop Cable Male/ Male

3825 - 0.5 Metre



Micro Trunk/ Drop Cable Female/ Female

3826 - 0.5 Metre



Micro Trunk/ Drop Cable Male/ Female 90°

3827 - 0.2 Metre
 3828 - 0.5 Metre
 3829 - 1 Metre




Micro Trunk/ Drop Cable Female/ Male 90°

3847 - 0.2 Metre
 3848 - 0.5 Metre
 3849 - 1 Metre



Micro Cable Per Metre/ Micro Cable 100 Metre Reel

3281
 Per 100 Metre




3802
Micro Trunk To Micro Drop Tee Adaptor



3802-02
Micro Tee Adaptor - 2 Way



3803/3804
Micro Female/Male Terminator



3807
Micro Bulkhead Feed Through



3808
Micro In-Terminator



3801
Micro Female Blanking Plug



3802-4
Micro Tee Adaptor - 4 Way



3805/3806
Micro Installable Connector Male



3832
Micro Power Cable 2 Metre



3840
Micro Elbow Adaptor



The NMEA2000® network comprises of a single trunk or backbone cable running through the length of the vessel with Tee Adaptors positioned where devices are to be attached to the network and a terminator at each end.

The trunk or backbone cable can be created by either using made up cables or cordsets that come in a range of lengths or by running bulk cable and using field installable connectors where Tee connectors are required.

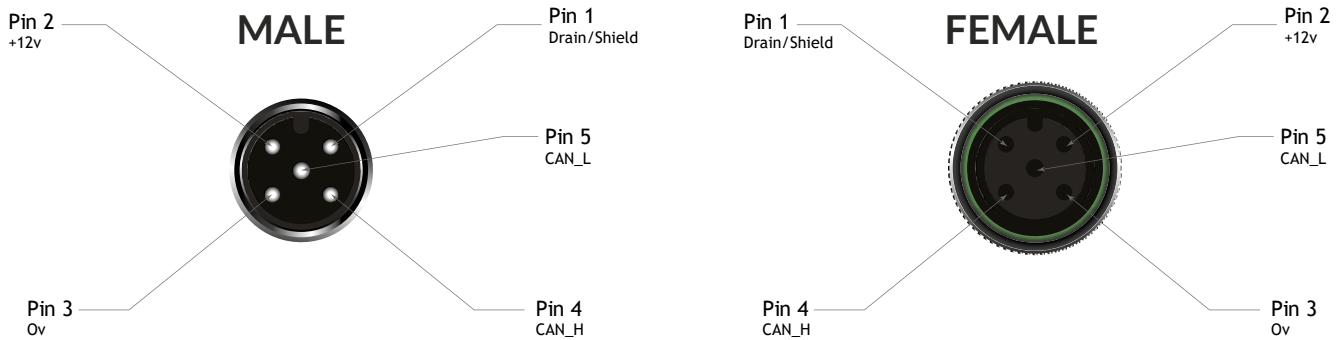
Features

- ◆ NMEA2000® network standard
- ◆ Easy to Install
- ◆ Robust Design and Construction
- ◆ Waterproof to IP67/68

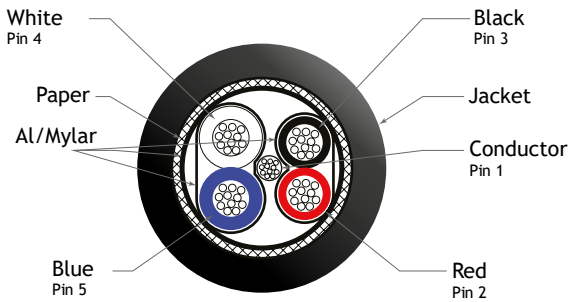
NMEA2000®

MICRO CABLING & CONNECTORS

Micro Cable Pin Assignment



Micro Cable Specifications



The light pair used for the network power shall be No. 22AWG (0.38 sq. mm) or heavier. The light pair for signals shall have the following electrical characteristics.

No. 24 AWG (0.24 sq. mm) or heavier.
 Characteristics impedance: 95- 140 Ohms
 15 twists (minimum) per metre.

Micro Connectors



Specifications

Connector Material	PU&NY+GF
Nut Material	Brass, Nickel Plated
Pin Material	Alloy, 6u" Min. Gold Plated
Wire	UL1007
IP	68 (IP 67 parts 3805/3806/3802)

Micro Cables



Specifications

Temp	80°C
Voltage	300V
Conductor	Tinned Copper Stranded
Jacket	O.D. 6.85±0.25mm
IP	68

Oceanic Systems (UK) Ltd

Unit 10-11 Milton Business Centre, Wick Drive, New Milton, Hampshire, BH25 6RH, United Kingdom

Tel (UK): +44(0) 1425 610022 Tel (USA): (844) 898 6462
 Fax: +44(0)1425 614794 Email: sales@osukl.com
 Web: www.osukl.com

Copyright © 2022 Oceanic Systems (UK) Ltd. All rights reserved.

Our policy is one of continuous product improvement, therefore product specifications are subject to change without notice. Oceanic Systems products are designed to be accurate and reliable. However, they should be used only as aids to vessel monitoring, and not as a replacement for traditional navigation and vessel monitoring techniques.

NMEA2000® is a registered trademark of the National Marine Electronics Association.